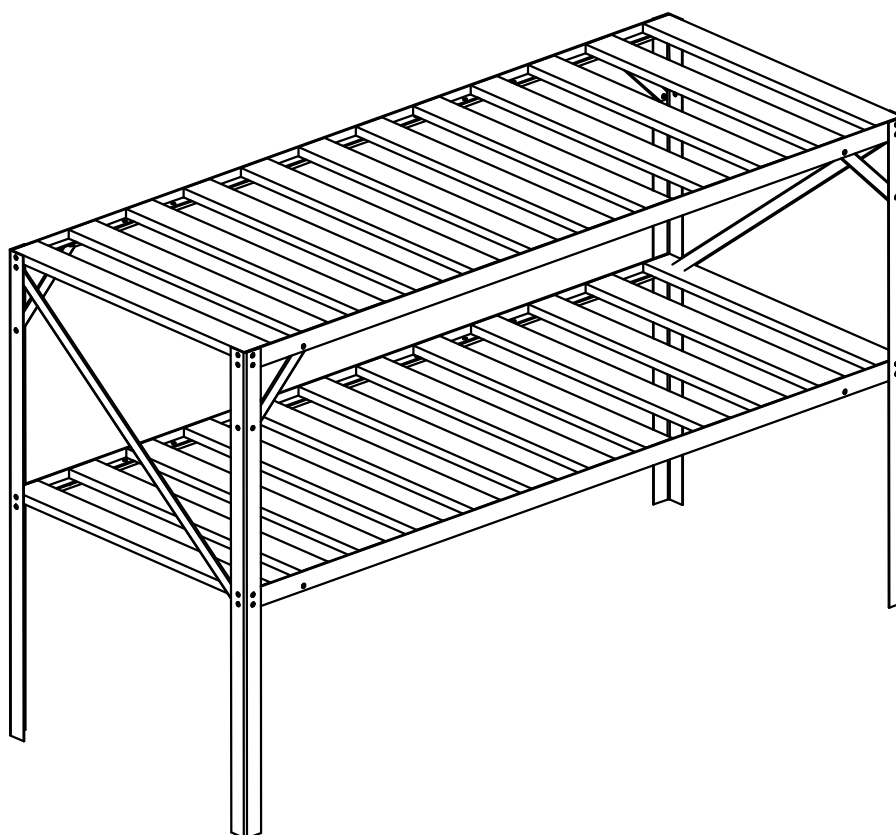


**BESTBERG**  
GERMAN QUALITY

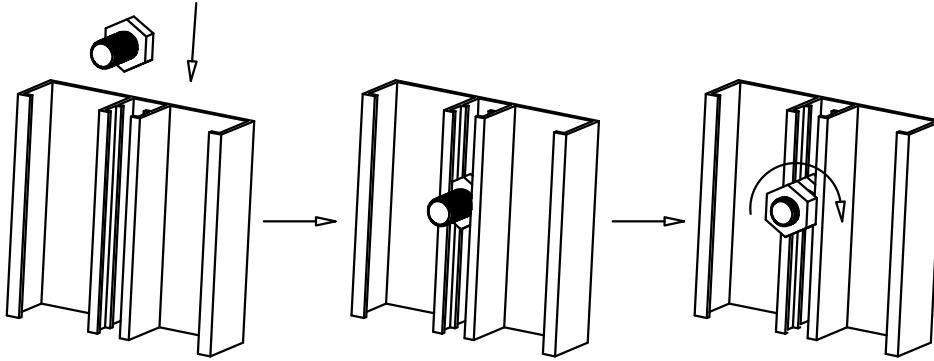
Model:BB-GSB2

L126xW50xH75cm



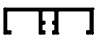


DE Gartenregal - 2 Regal  
EN Garden shelf - 2 shelf  
CZ Zahradní regál - 2 police  
SK Záhradný regál - 2 polica  
PL Półka ogrodowa - 2 półka  
HU Kerti polc - 2 polc  
RO Raft de grădină - 2 raft

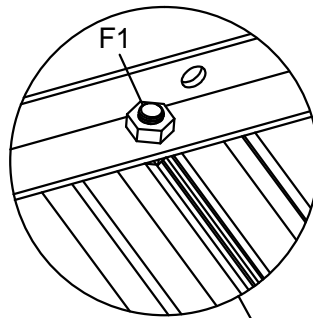
# THE SECOND LAYER ASSEMBLY



## "hexagonal screw" installation

Place the "hexagonal screw" into the groove, turn clockwise until it stops turning. Adjust the "hexagonal screw" by hand and twist so threads fix it in place. Place other parts on "hexagonal screw" and assemble nut.

PART	NO.	Qty.
	1	10
	2	2
	F1	20



DE Setzen Sie den Sechskantkopf der Schraube in die Nut ein.

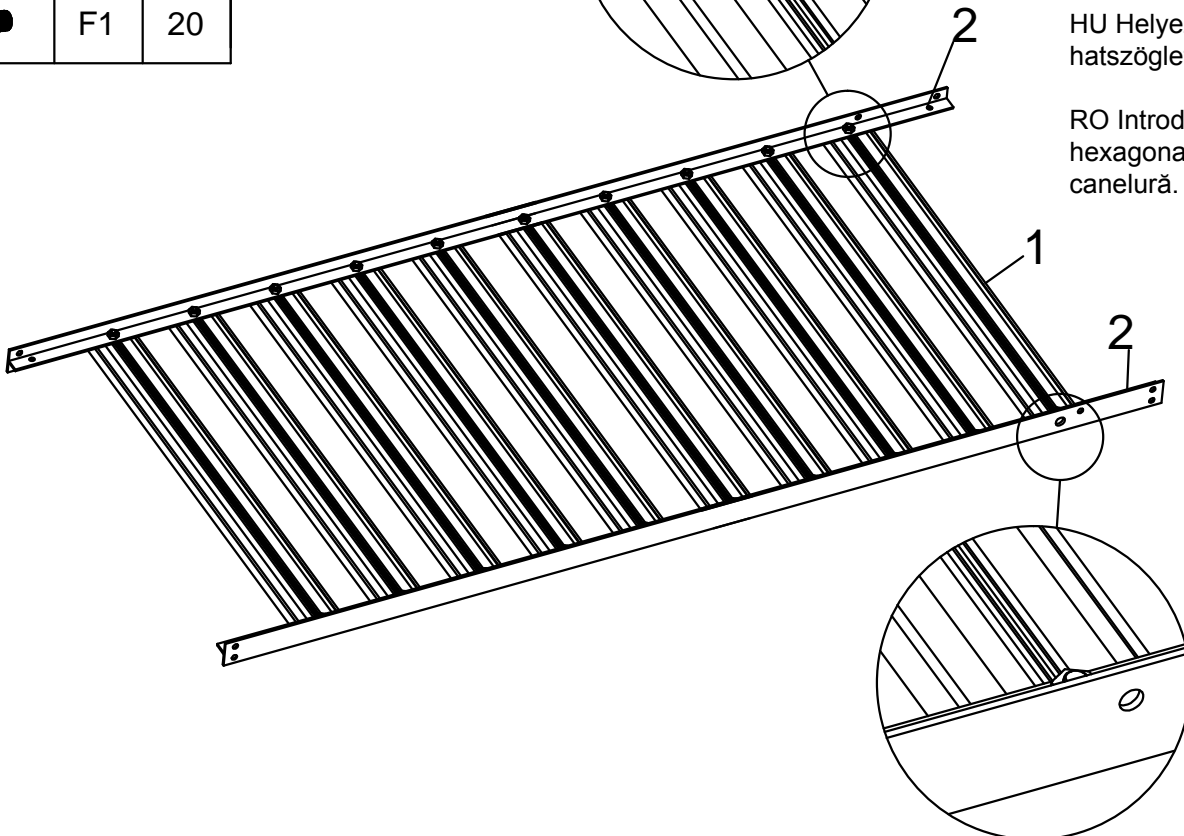
CZ Vložte šestihrannou hlavu šroubu do drážky.

SK Vložte šest'hrannú hlavu skrutky do drážky.

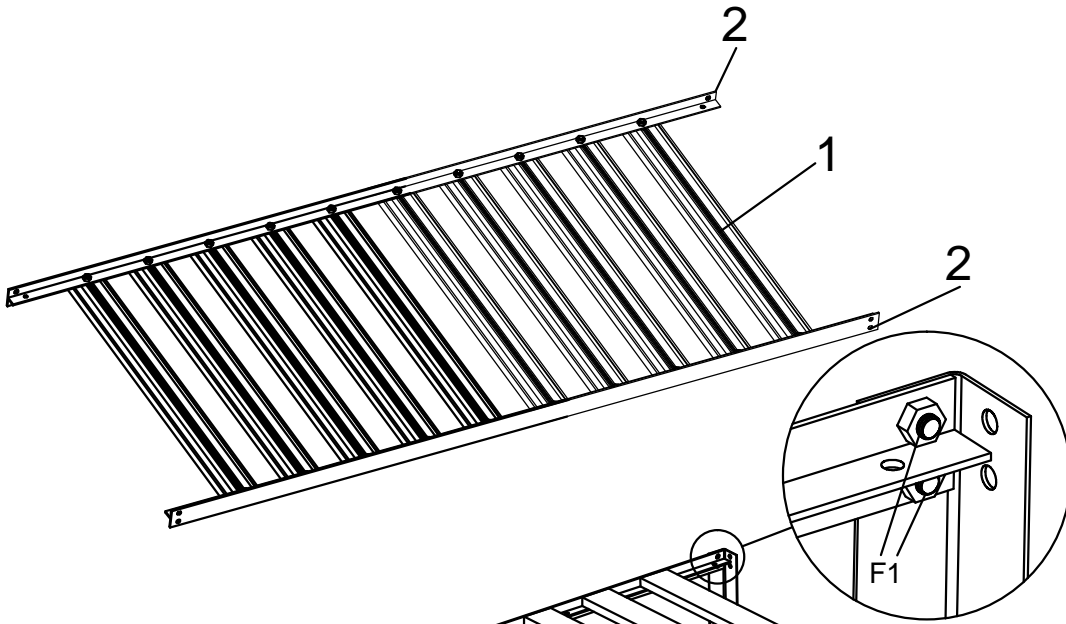
PL Włóż sześciokątną główkę śruby w rowek.


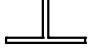


HU Helyezze be a csavar hatszögletű fejét a horonyba.

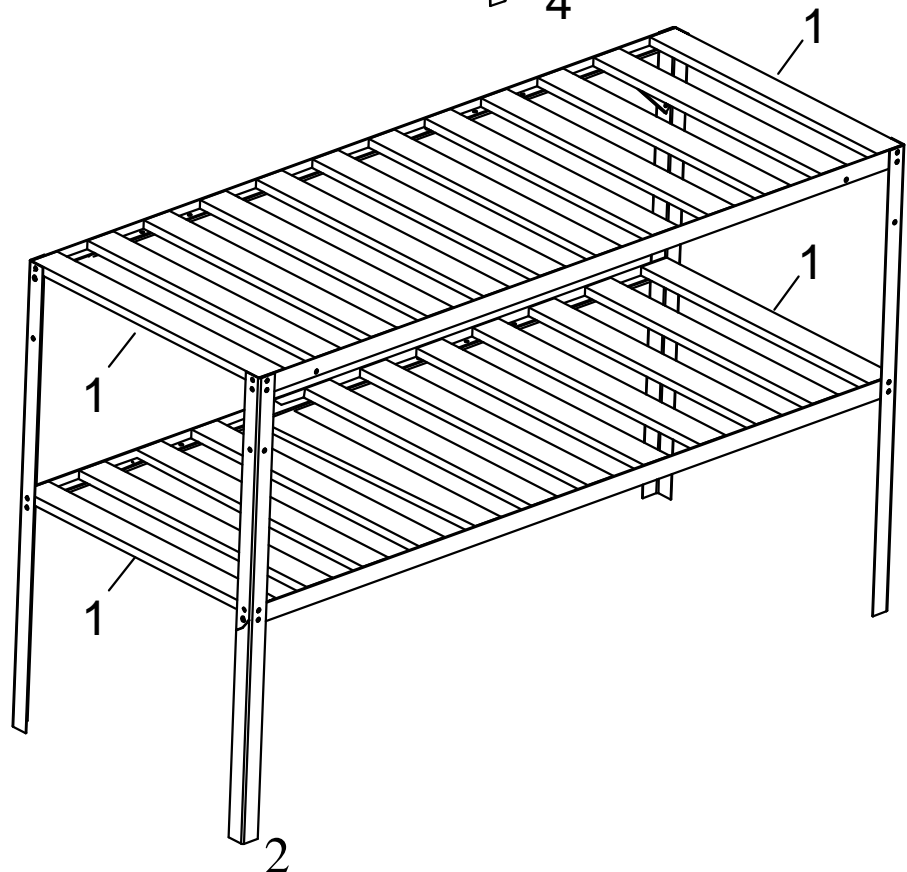
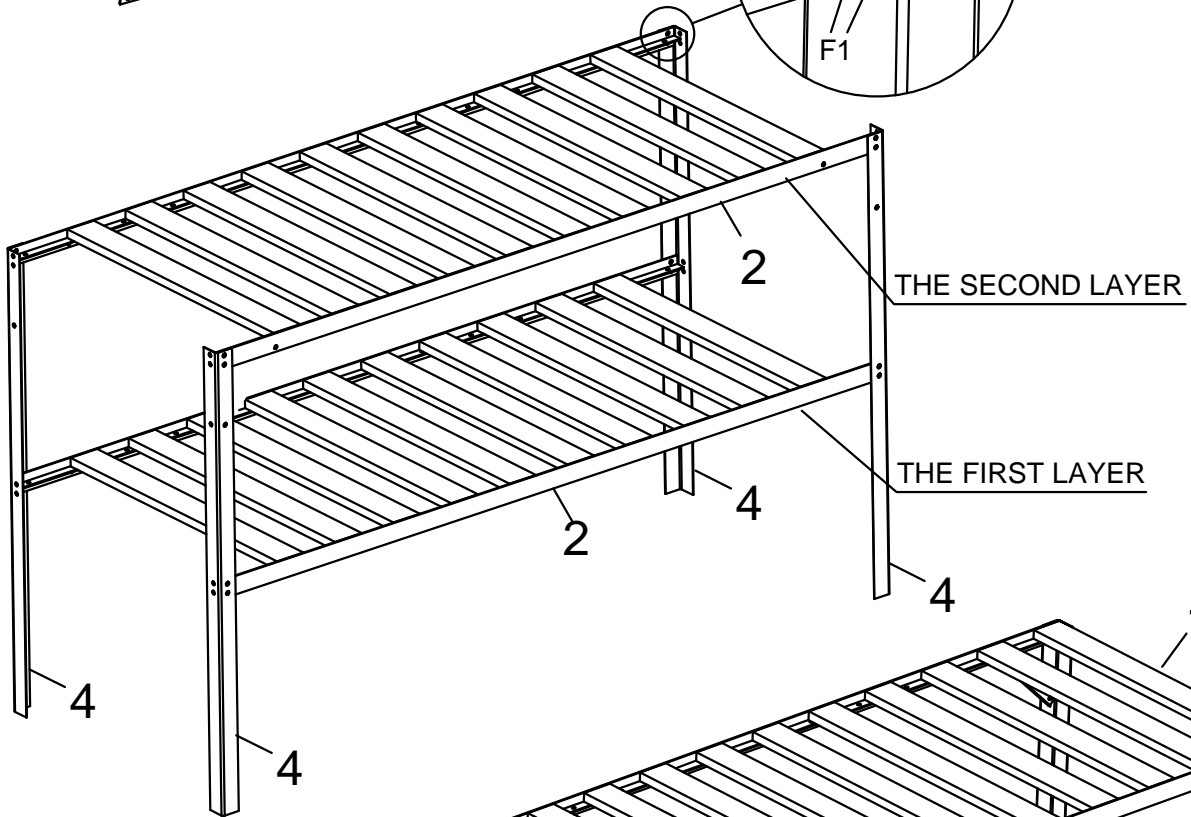
RO Introduceți capul hexagonal al șurubului în canelură.

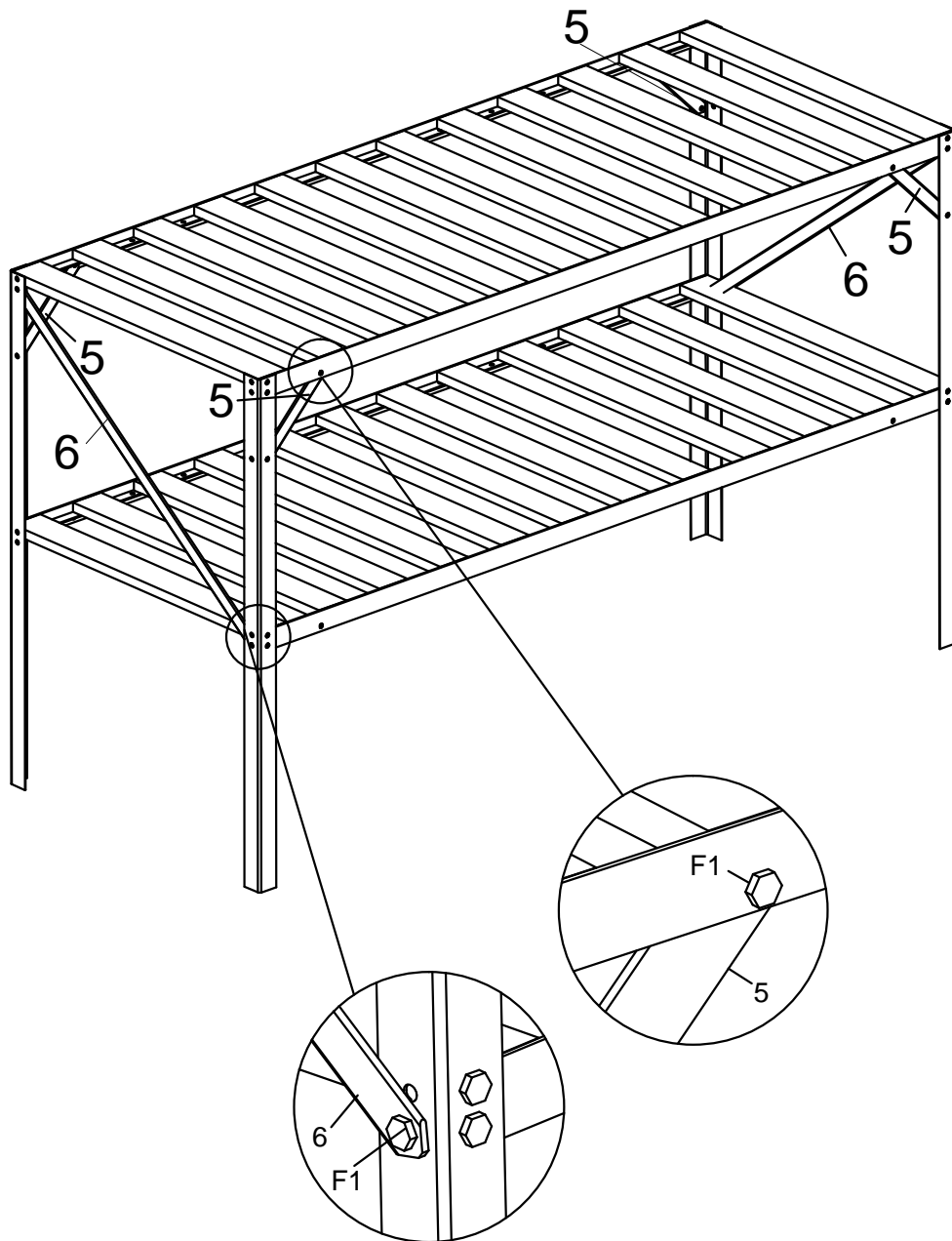


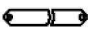

# THE FIRST LAYER AND THE FRAME ASSEMBLY



PART	NO.	Qty.
	1	14
	2	2
	4	4
	F1	44





PART	NO.	Qty.
	5	4
	6	2
	F1	12

Import: IPRICERECARE s.r.o.  
 Rybníky IV 326  
 760 01 Zlín  
 Czechia  
 Email:  
[bestberg@bestberg.eu](mailto:bestberg@bestberg.eu)  
 Made in P.R.C.