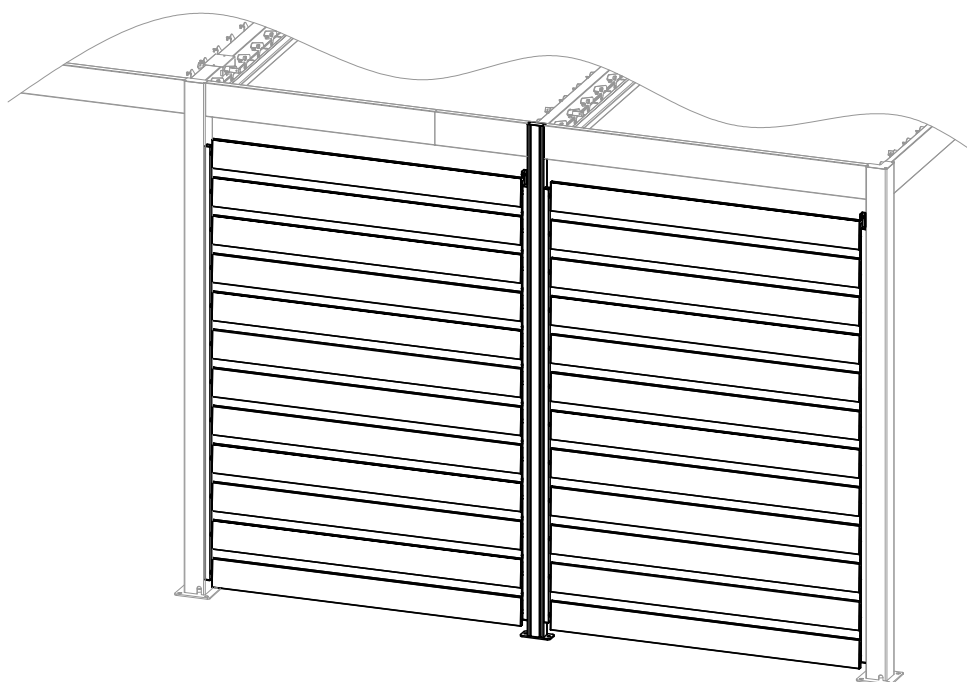


# BESTBERG

GERMAN QUALITY

**BBP-F1CG**

283x218cm



**DE** Seitlicher Sichtschutz für bioklimatische Pergola

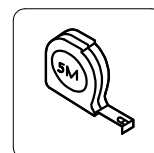
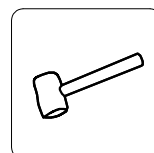
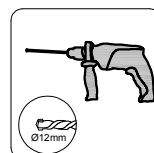
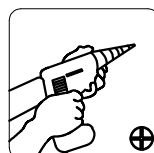
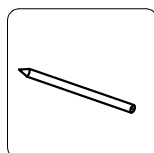
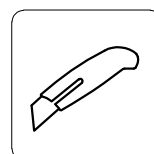
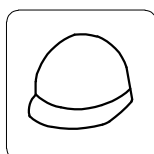
**CZ** Boční zástěna pro bioklimatickou pergolu

**SK** Bočná zástena pre bioklimatickú pergolu

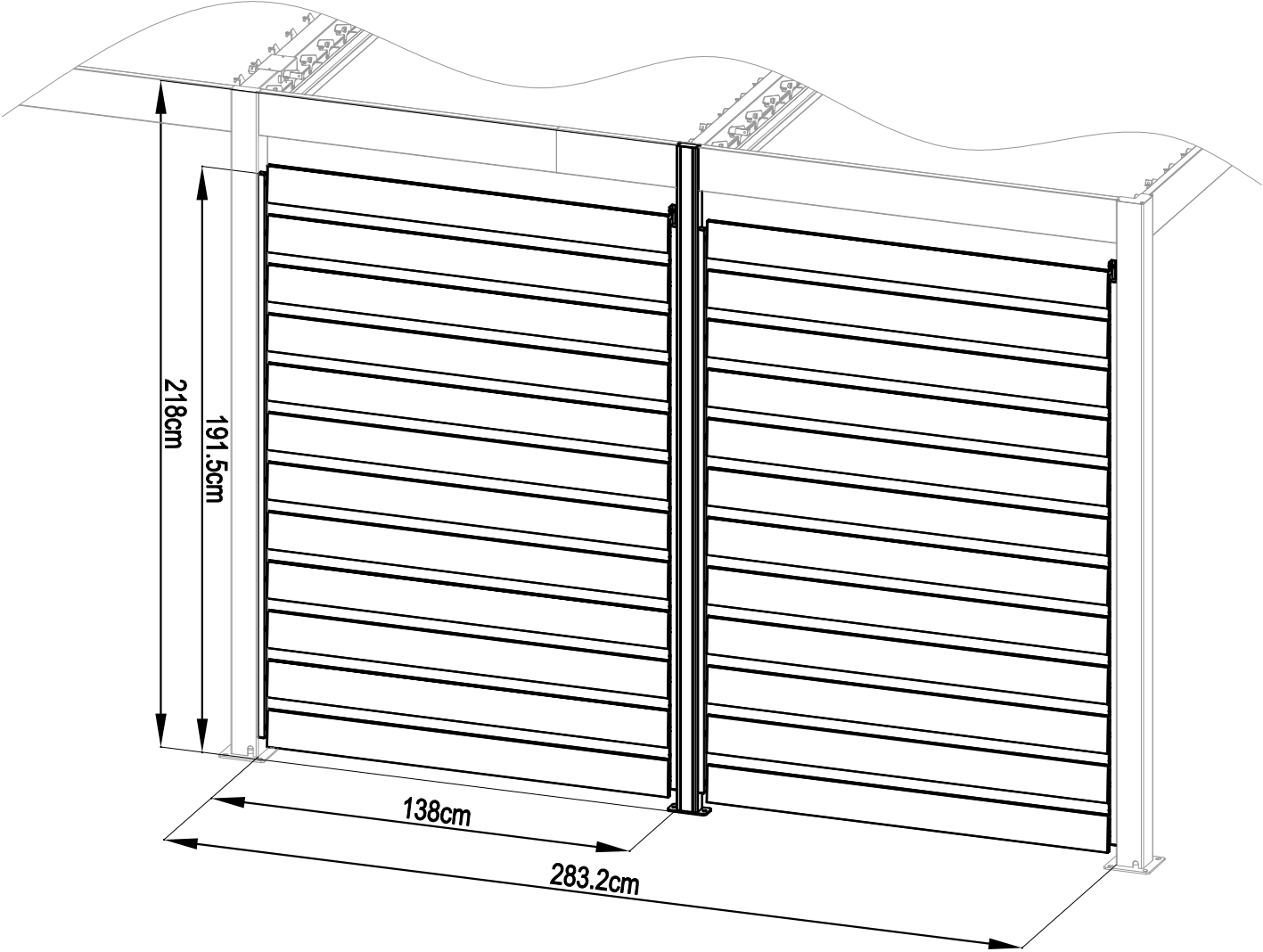
**PL** Panel do pergoli bioklimatycznej

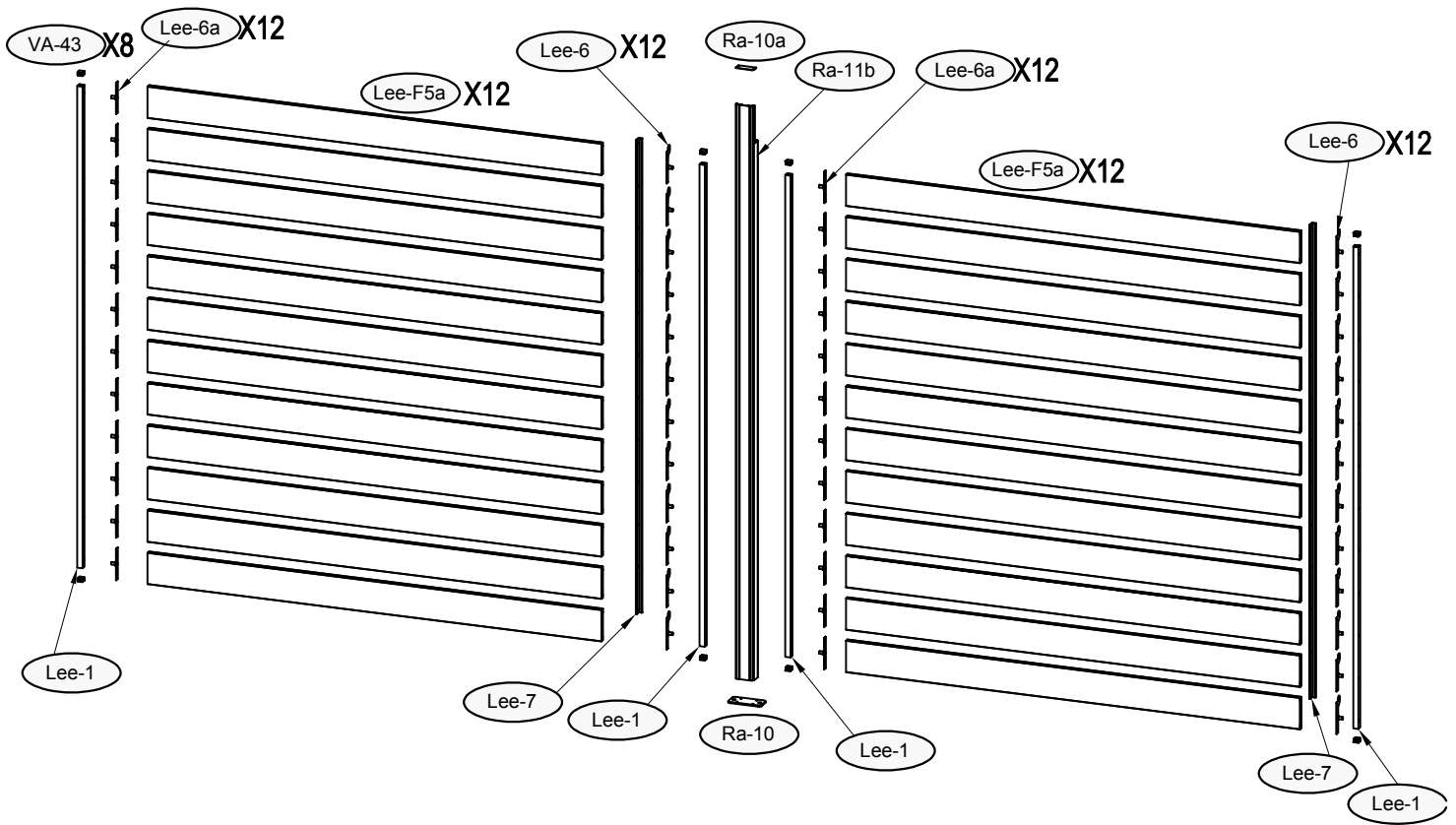
**HU** Paraván bioklimatikus pergolához

**RO** Plasă laterală pentru pergolă bioclimatică


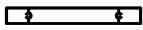




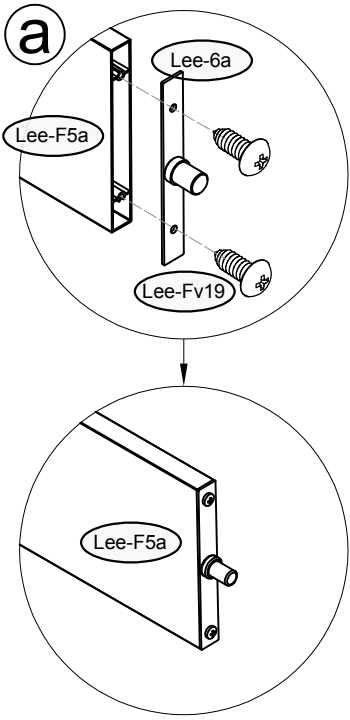
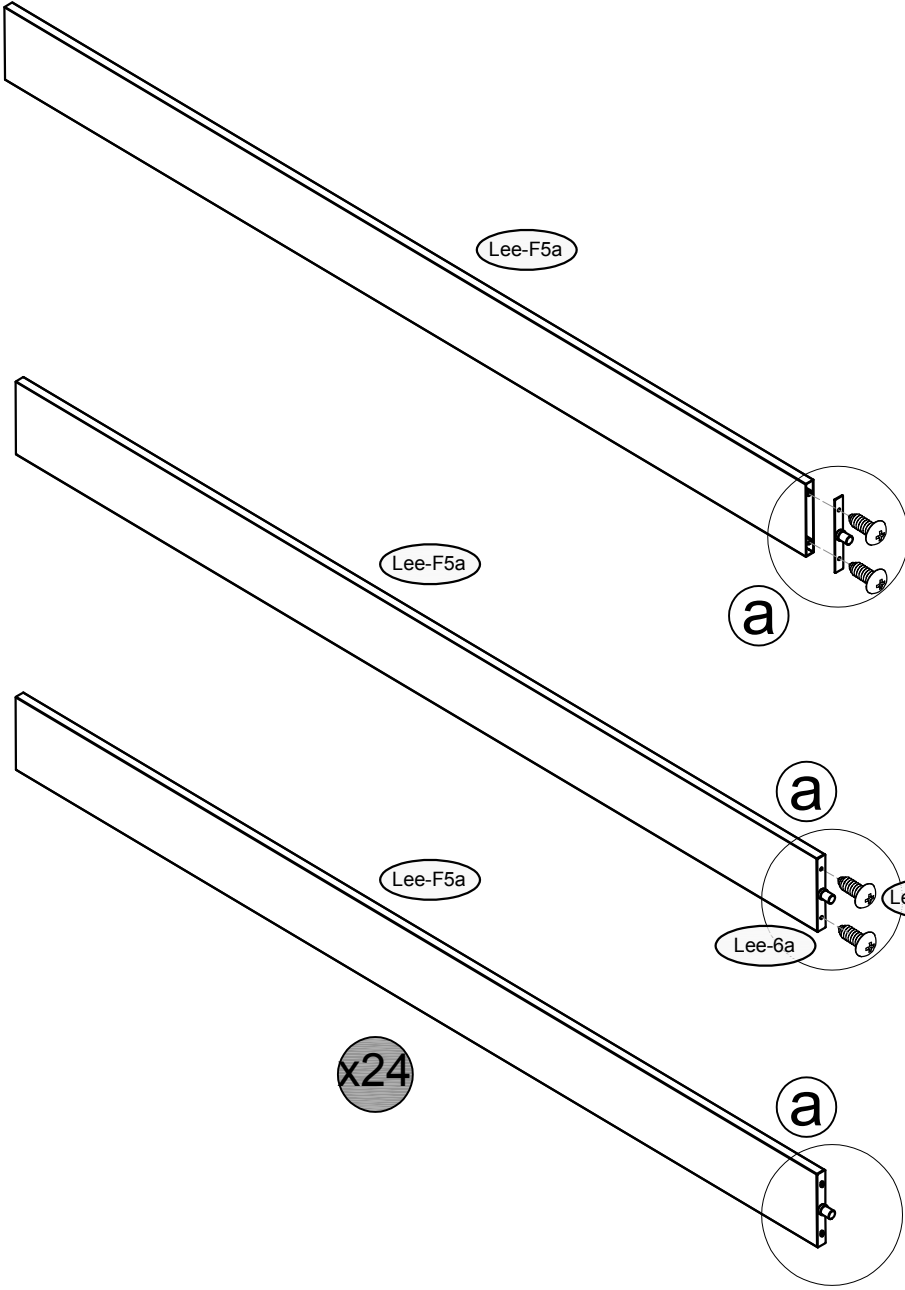
Size: 283(Length) x 218(Height)


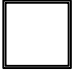



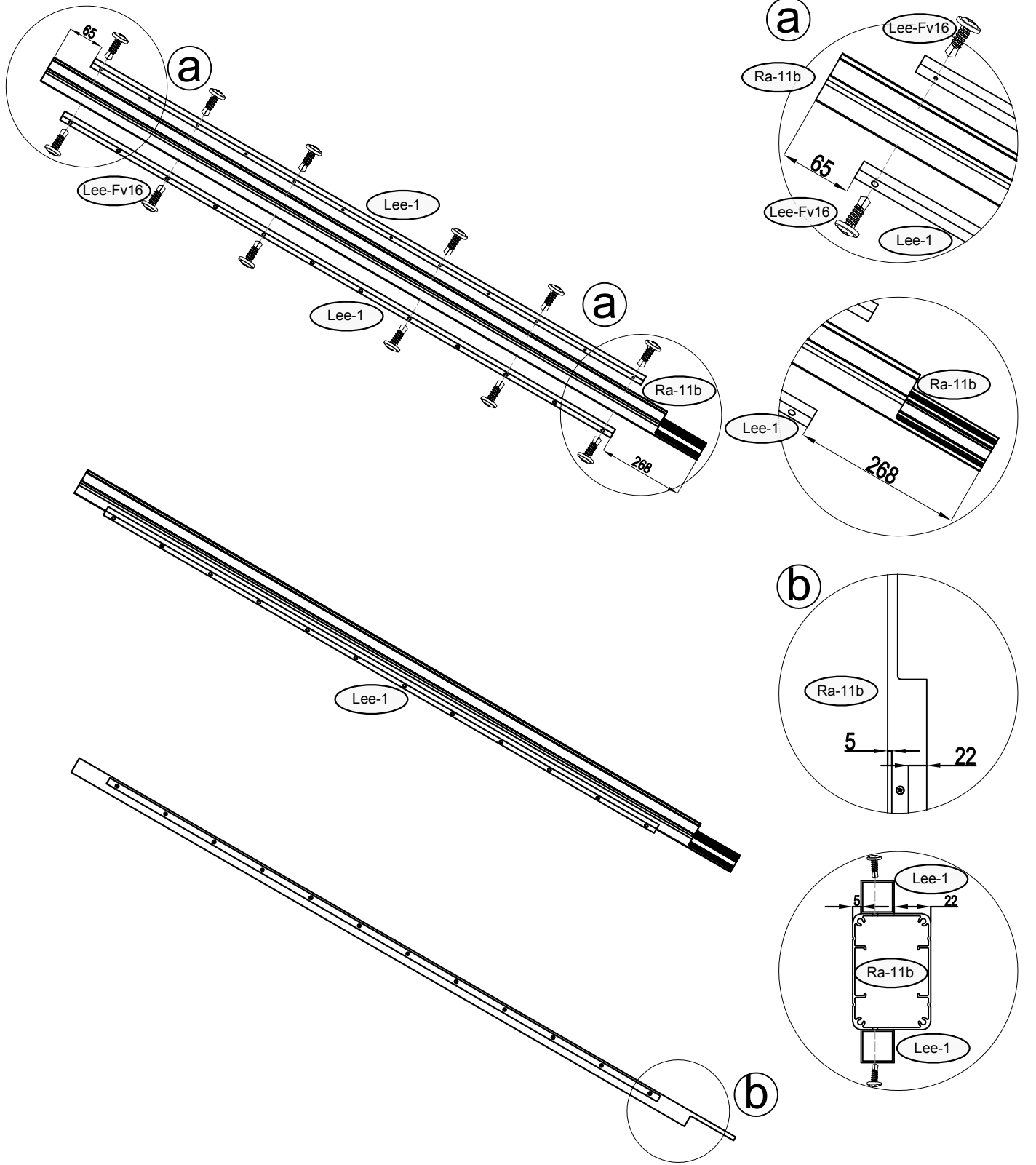


NO.	IMAGE	mm	QTY	NO.	IMAGE	mm	QTY
Lee-1		1842	x4	Lee-Fv16		ST4.8x16	x26
Lee-F5a		1322	x24	Lee-Fv17		M8x70	x2
Lee-6			x24	Lee-Fv18		ST4x14	x6
Lee-6a			x24	Lee-Fv19		ST4x10	x96
Lee-7		1812	x2	Lee-Fv20		M5x13	x24
Ra-10		128	x1	Lee-Fv21		M5	x24
Ra-10a		70	x1				
Ra-11b		2175	x1				
VA-43		20x20	x8				

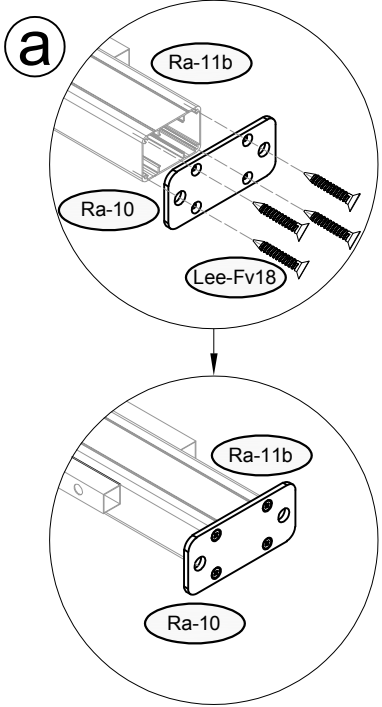
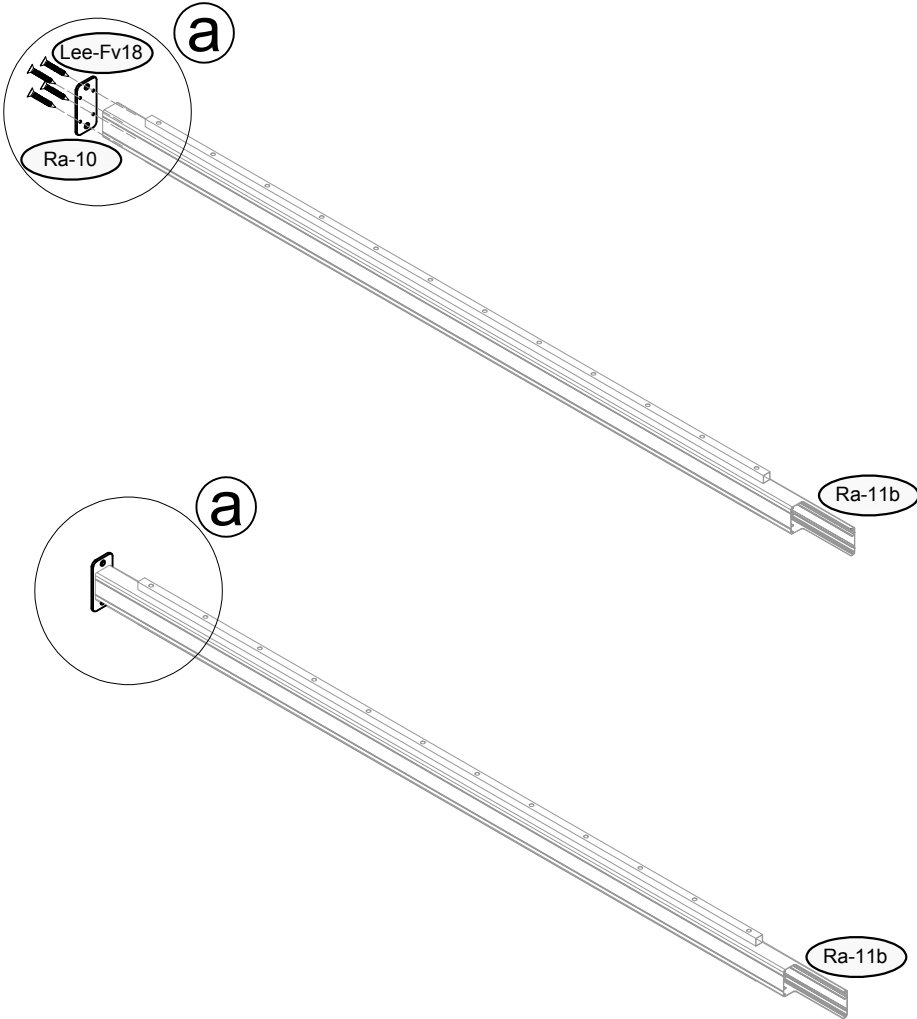
	 <p>Lee-F5a x24</p>	 <p>Lee-6a x24</p>	 <p>Lee-Fv19 x48</p>	
--	--	---	---	--



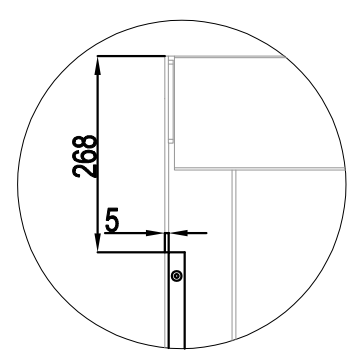
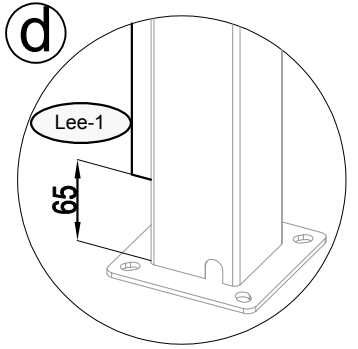
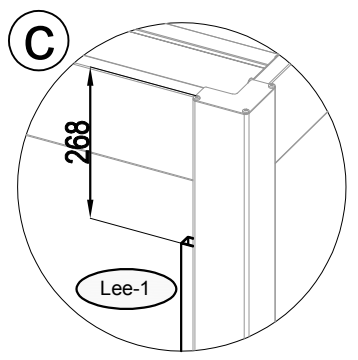
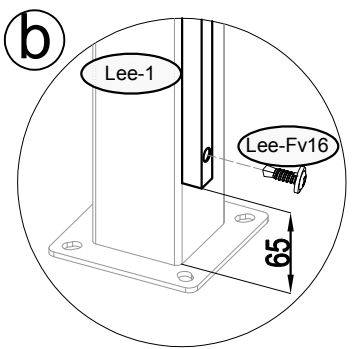
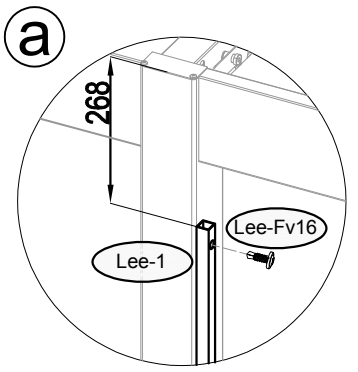
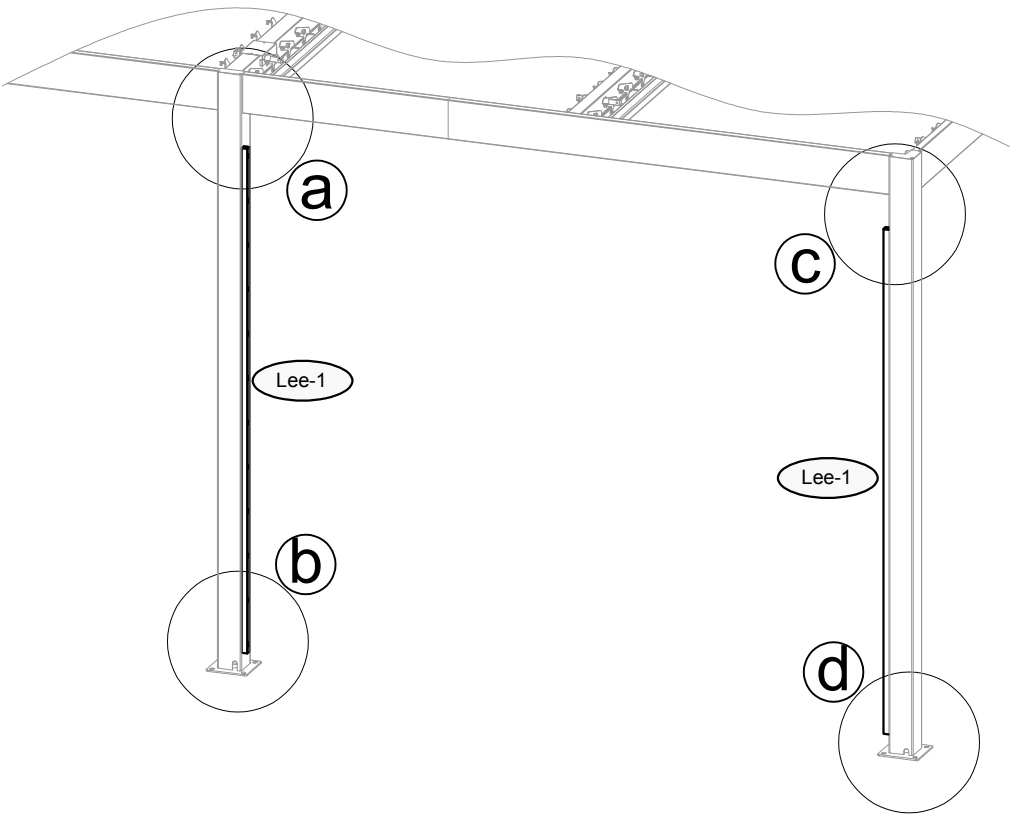
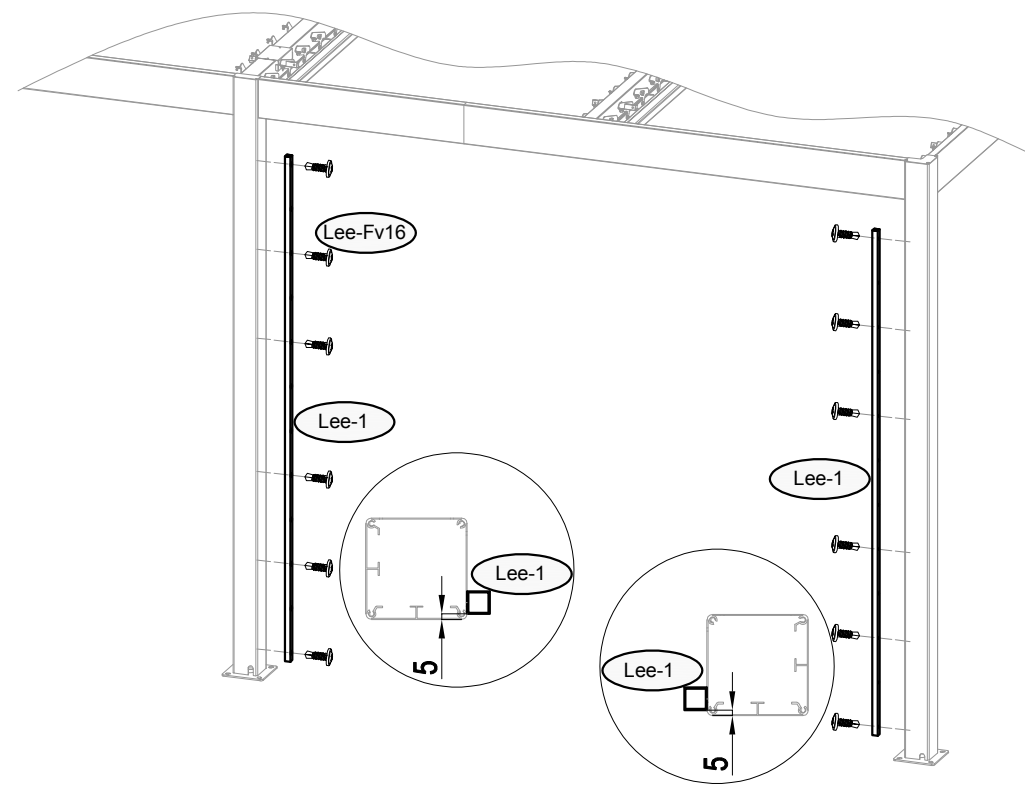
2	 Ra-11b x1	 Lee-1 x2	 Lee-Fv16 x12	
---	--	---	---	--







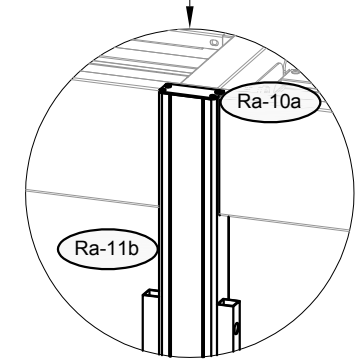
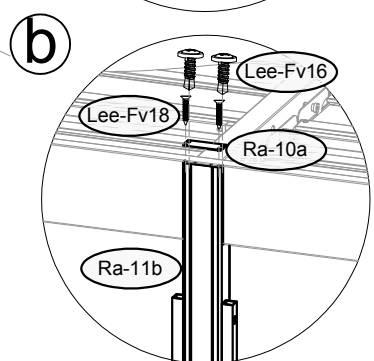
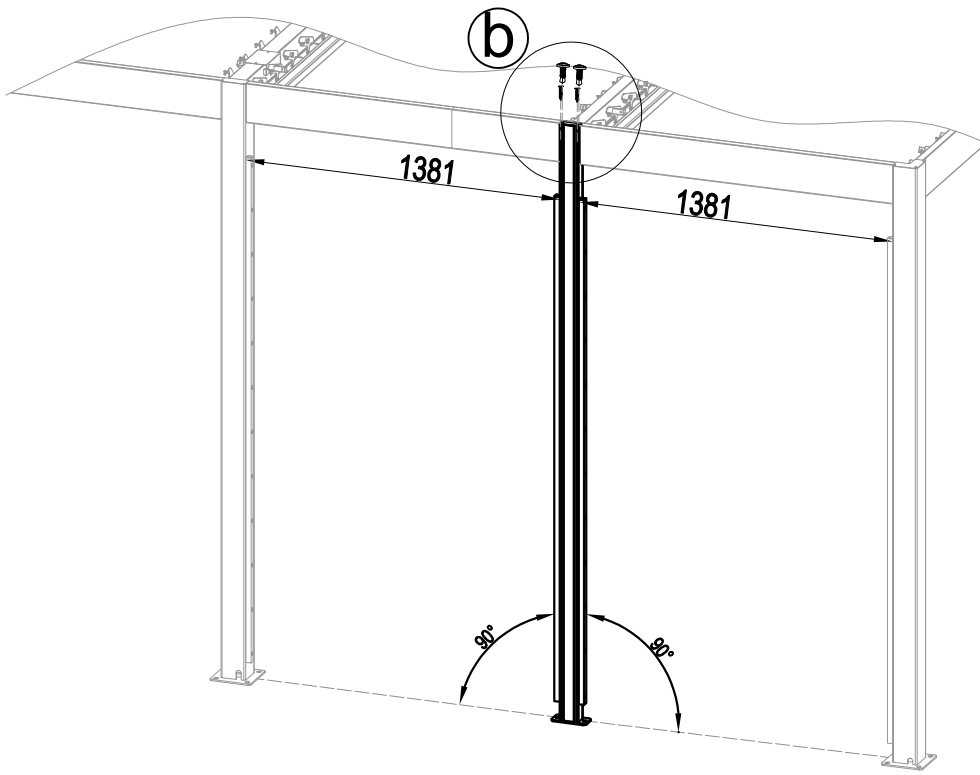
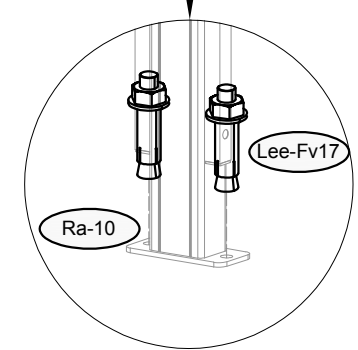
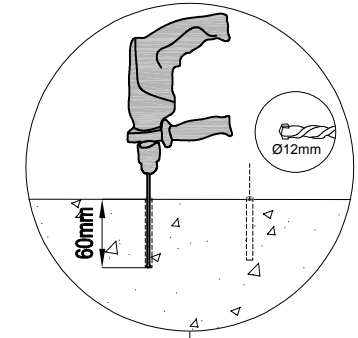
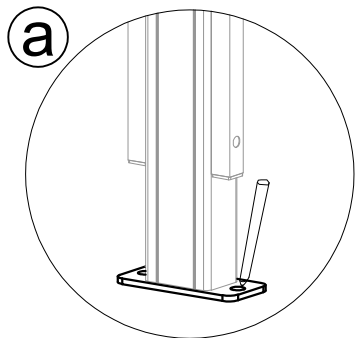
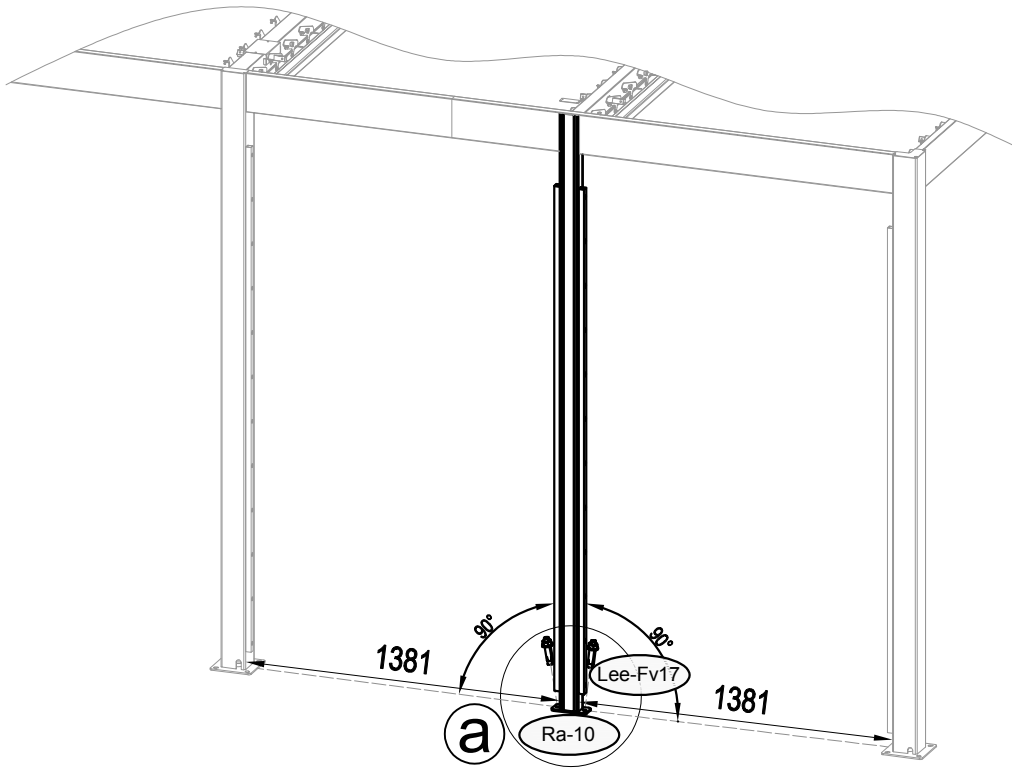
<p><b>3</b></p>	 <p>Ra-10 x1</p>	 <p>Lee-Fv18 x4</p>	
-----------------	---	--	--



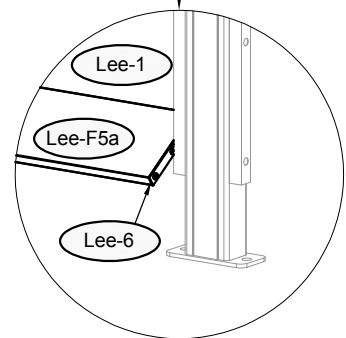
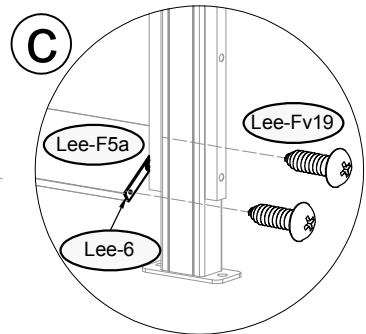
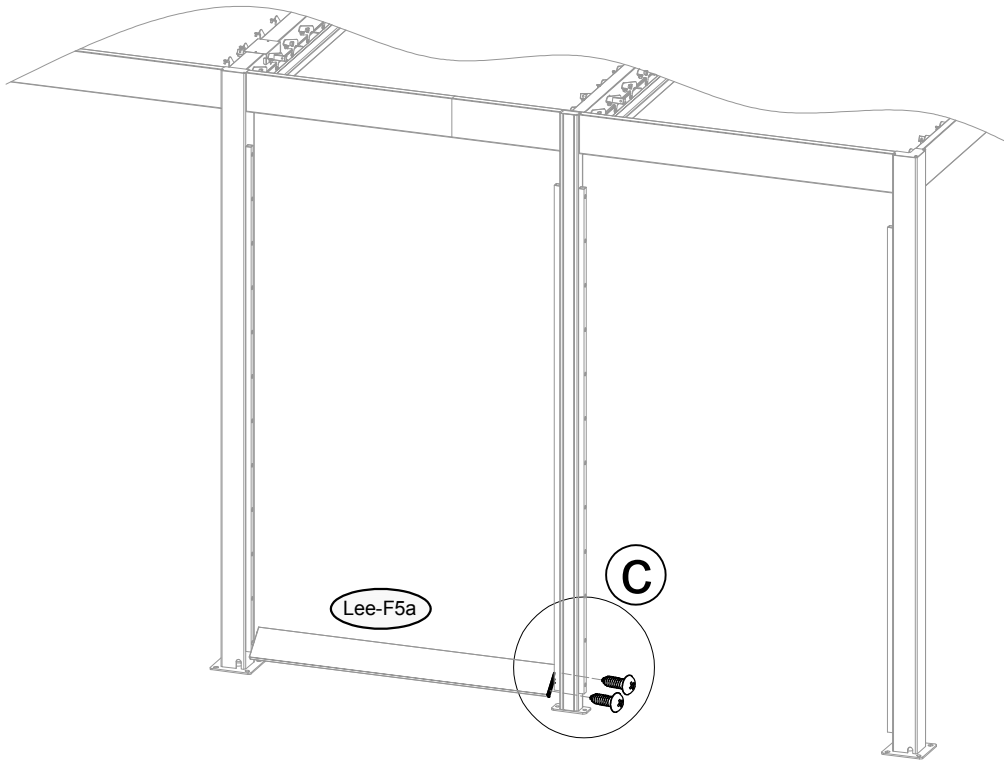
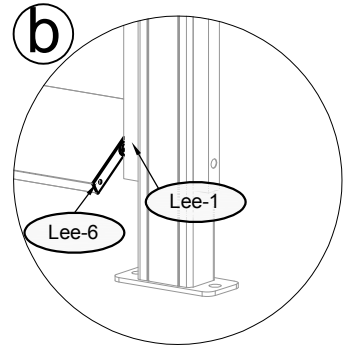
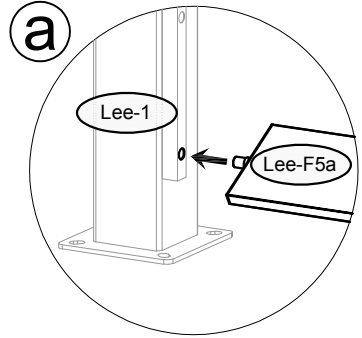
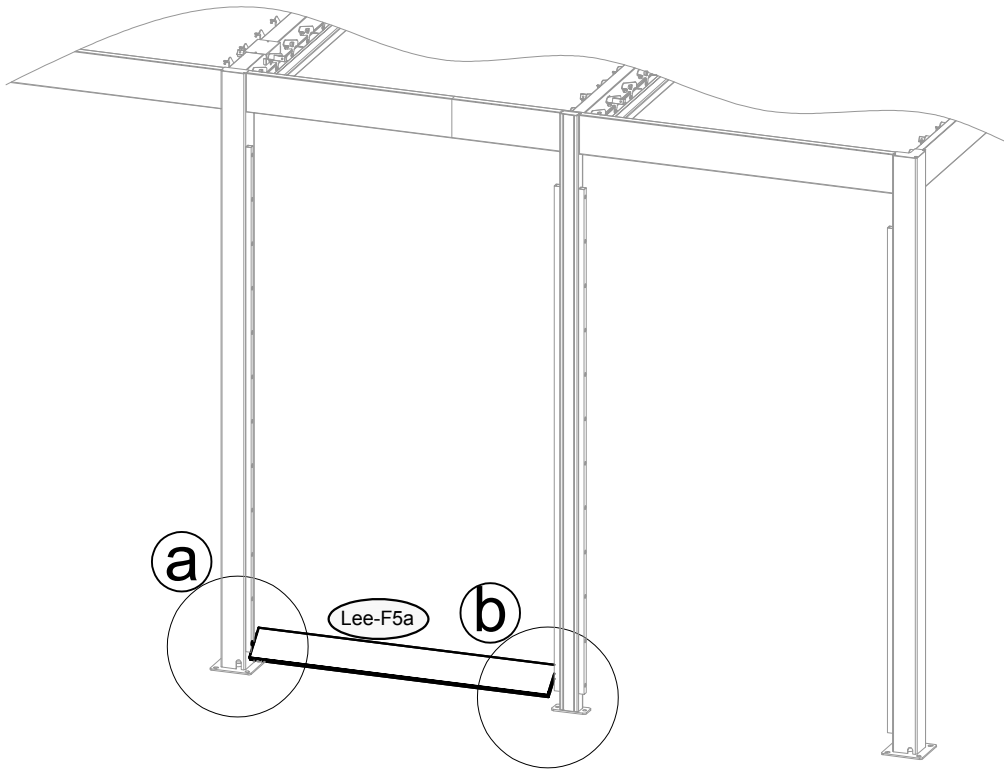
<b>4</b>	 Lee-1 x2	 Lee-Fv16 x12
----------	---	---



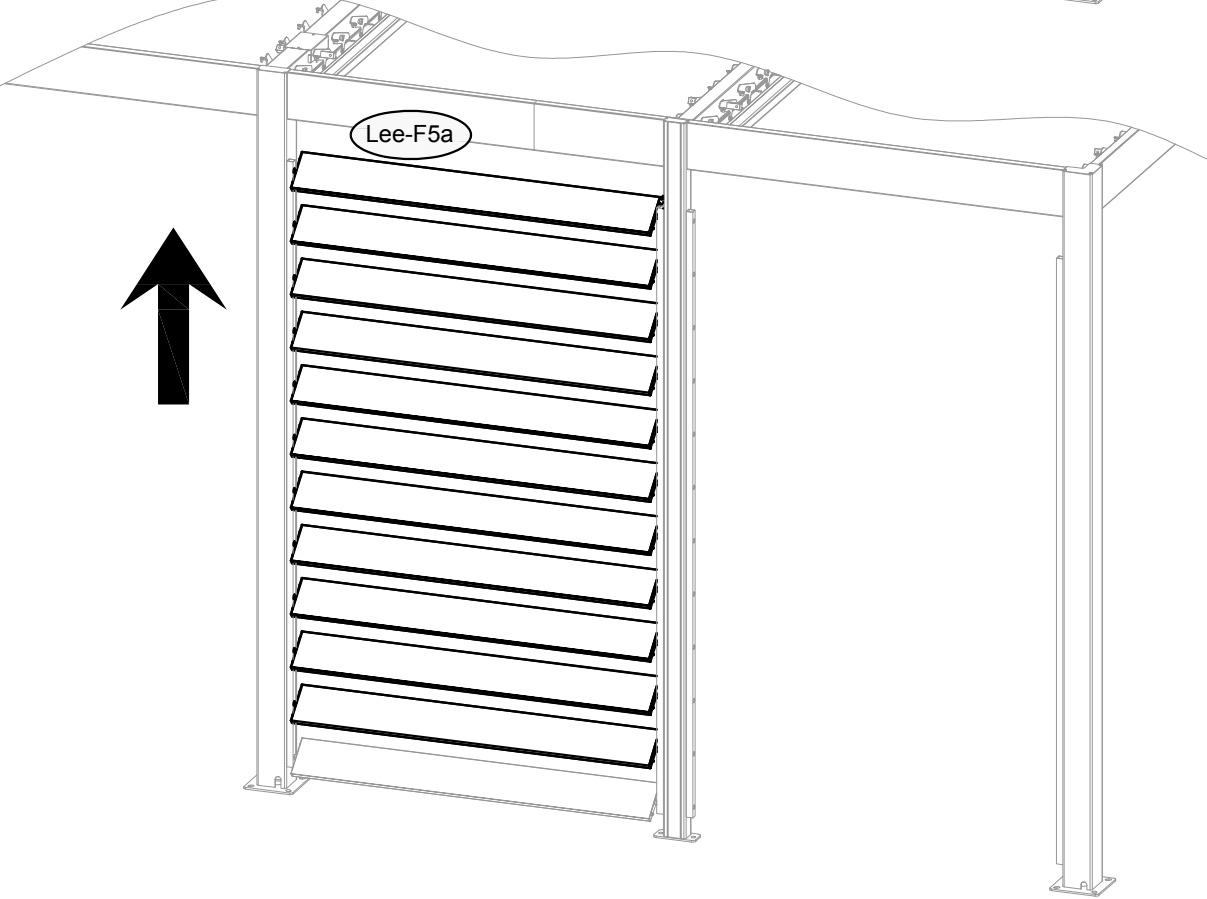
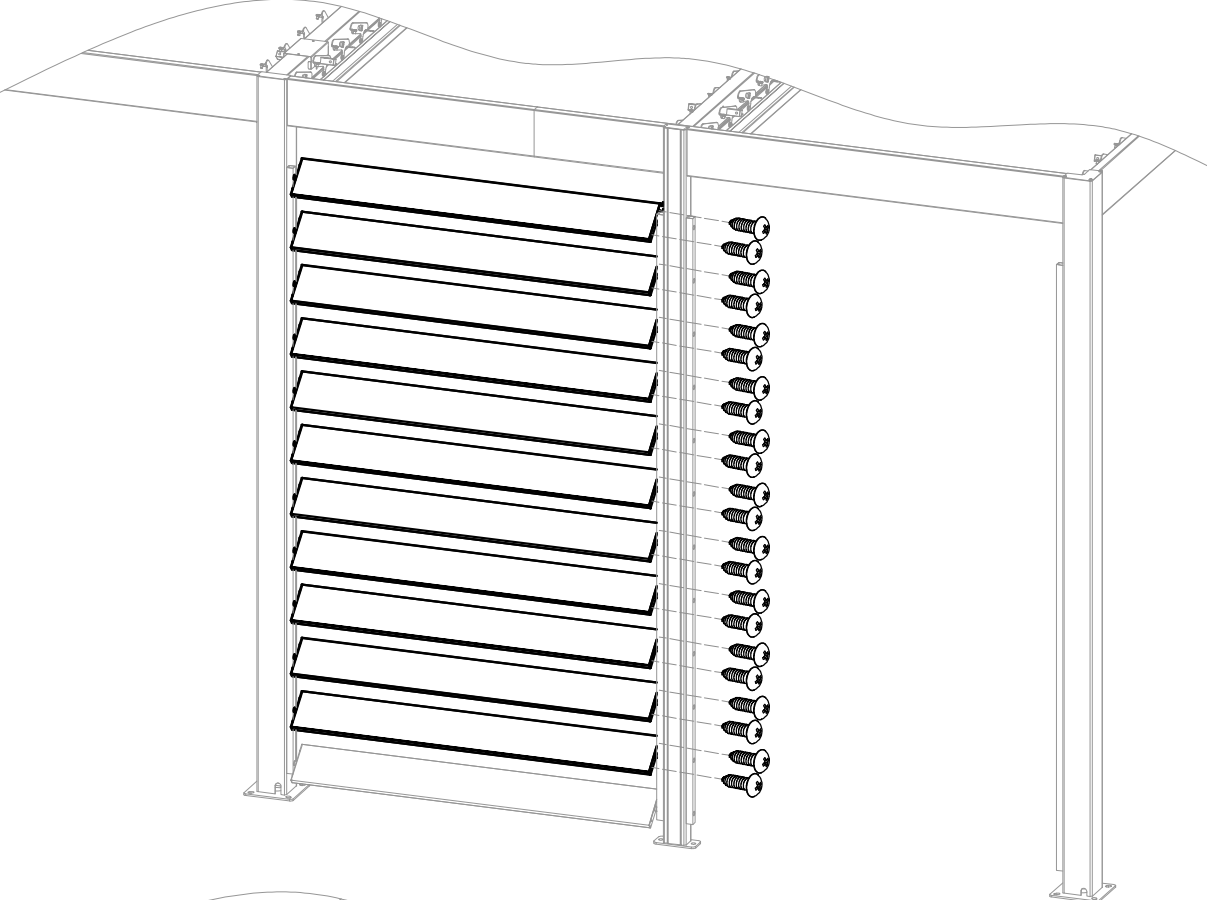
5	 Ra-10a x1	 Lee-Fv18 x2	 Lee-Fv16 x2	 Lee-Fv17 x2
---	--	--	--	--



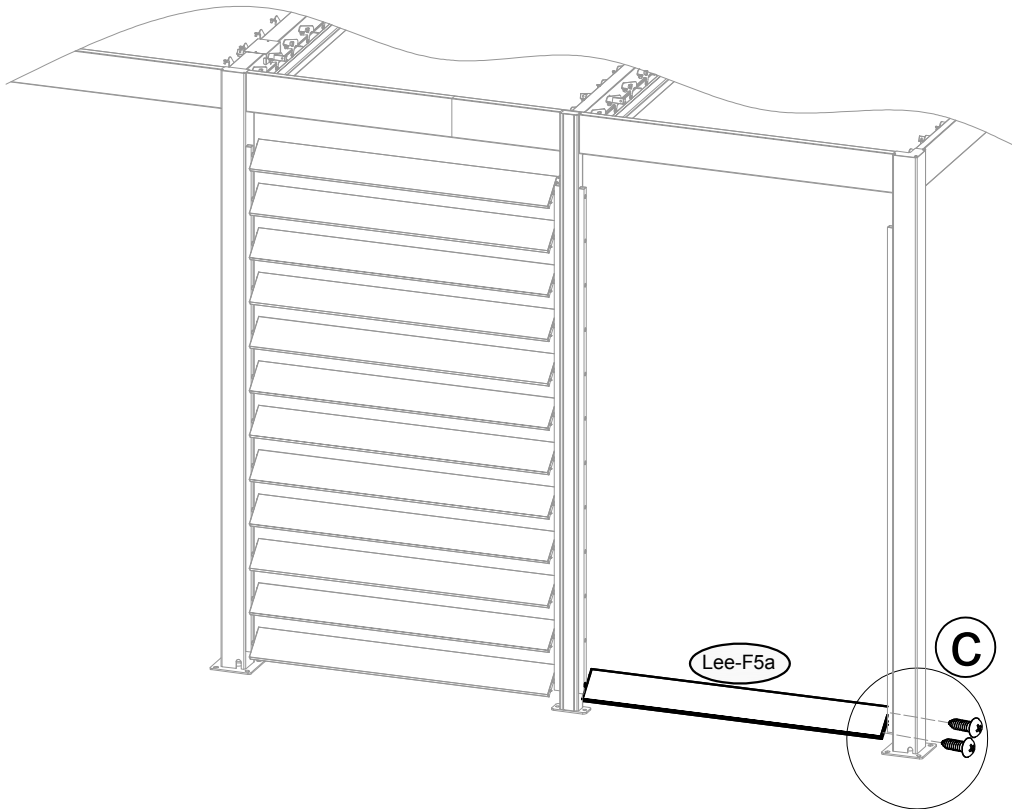
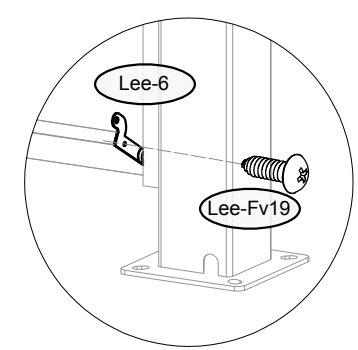
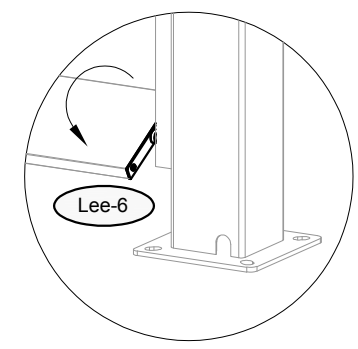
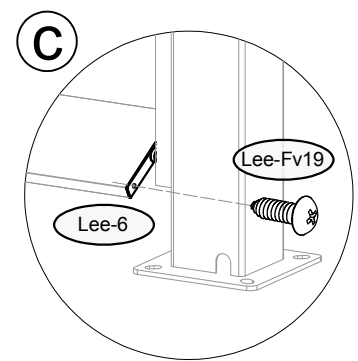
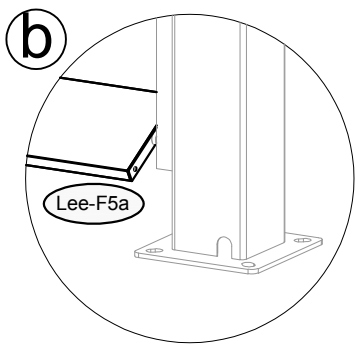
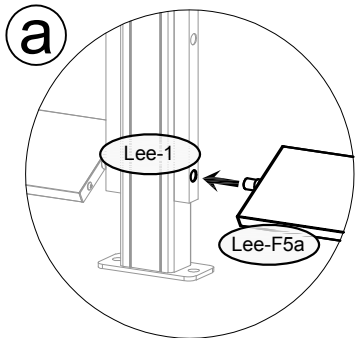
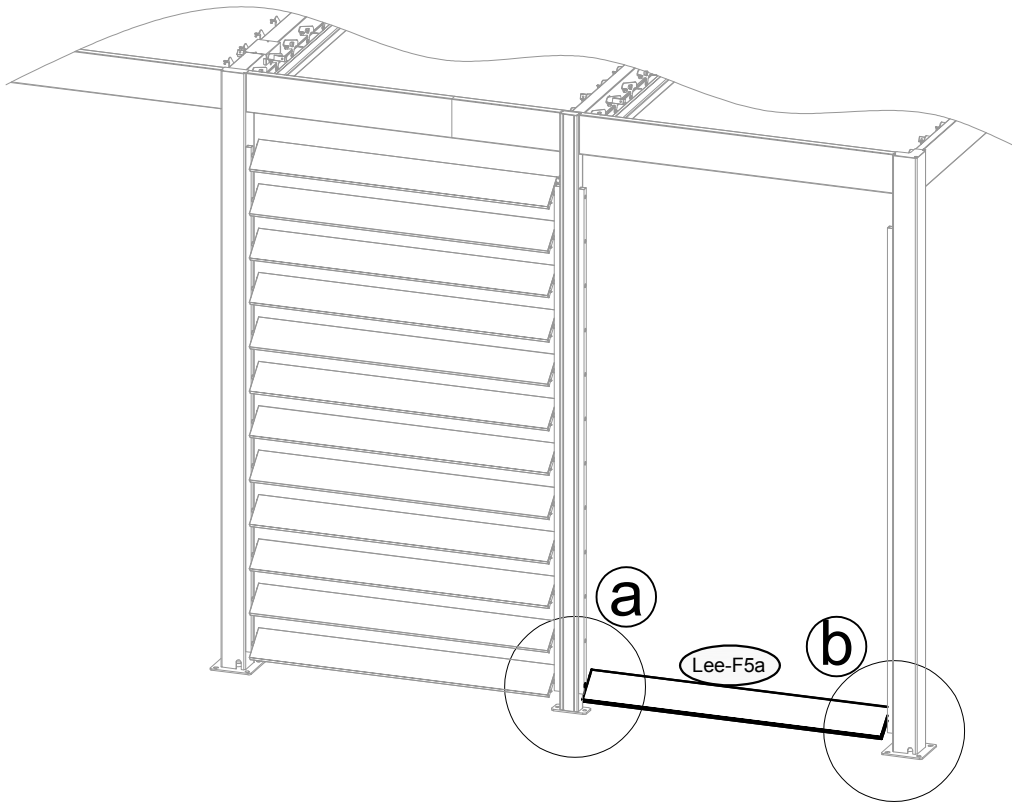
<b>6</b>	 Lee-6 x1	 Lee-Fv19 x2
----------	---	--



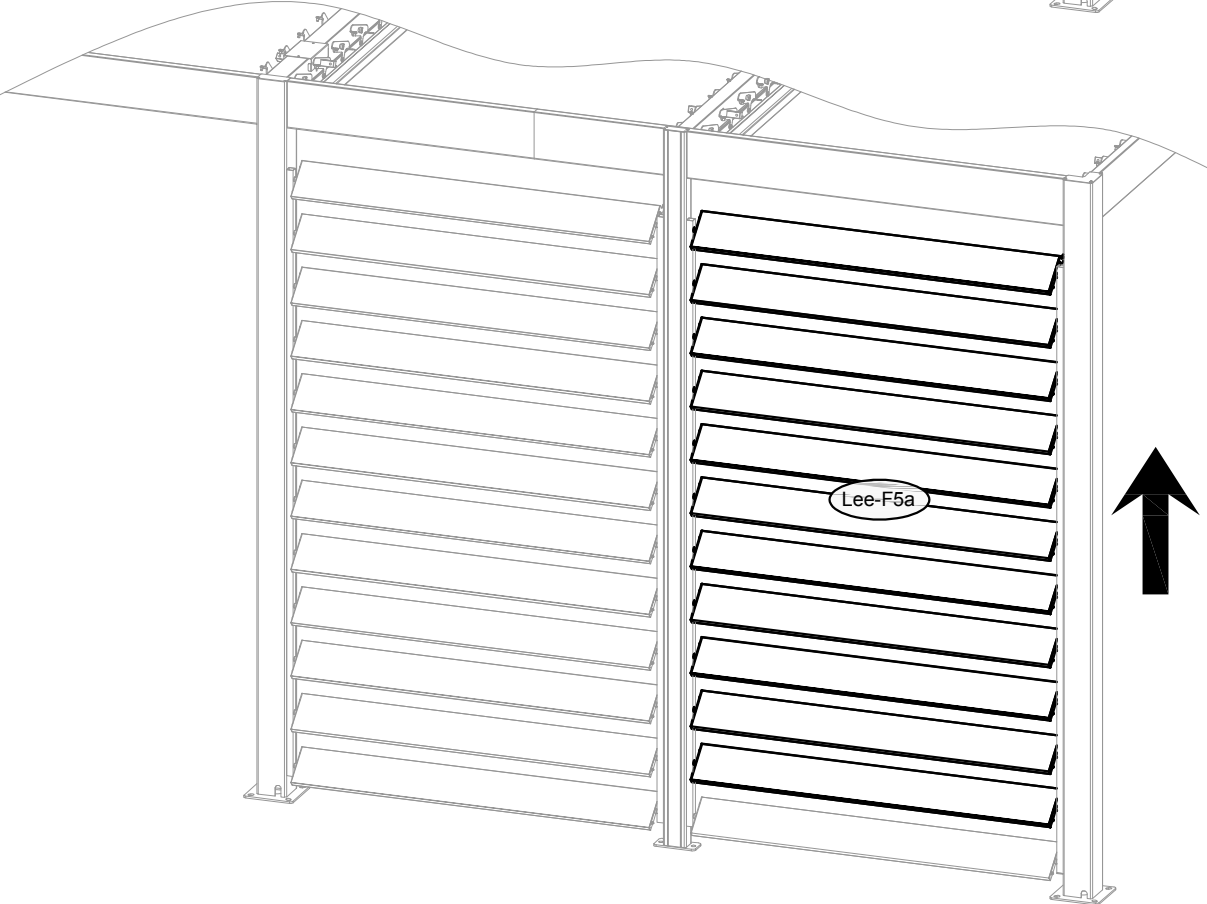
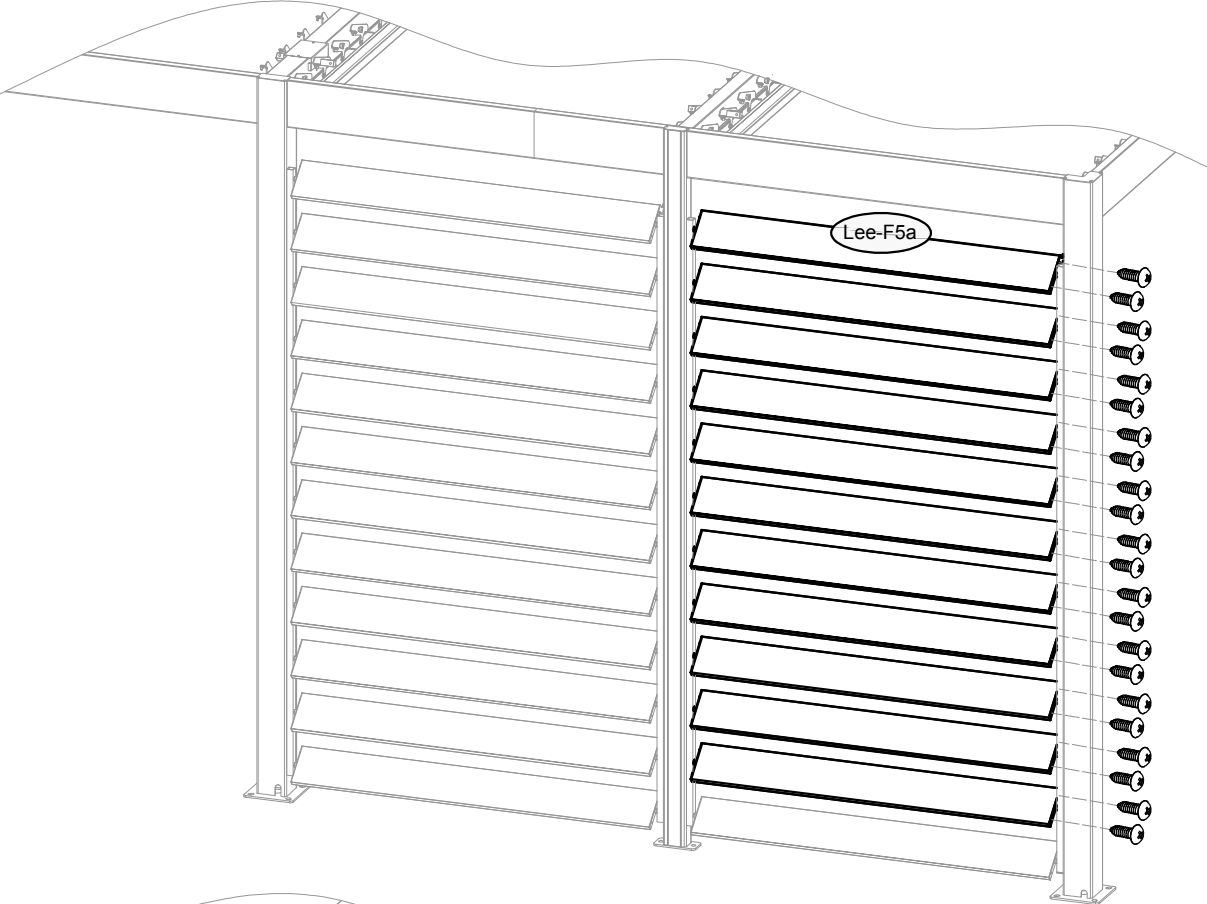
<b>7</b>	 Lee-6 x11	 Lee-Fv19 x22	
----------	--	---	--


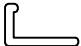



	 <p>Lee-6 x1</p>	 <p>Lee-Fv19 x2</p>	
---	---	--	--



9	 Lee-6 x11	 Lee-Fv19 x22	
---	--	---	--



	 Lee-7 x2	 Lee-Fv20 x24	 Lee-Fv21 x24	
--	---	---	---	--

