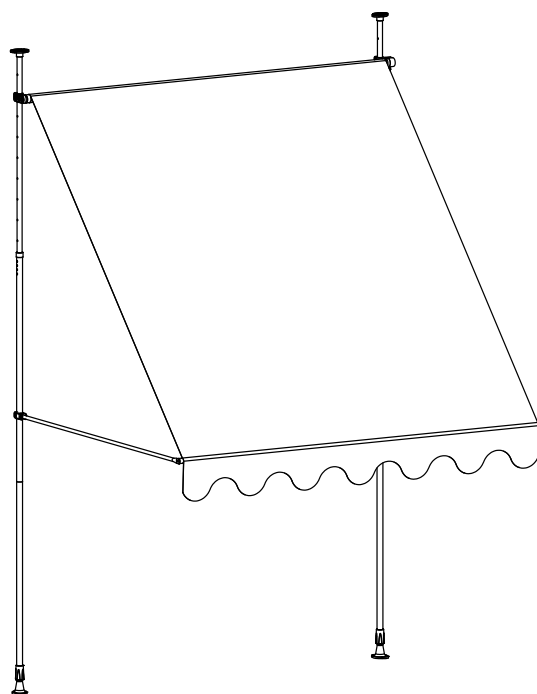


BESTBERG

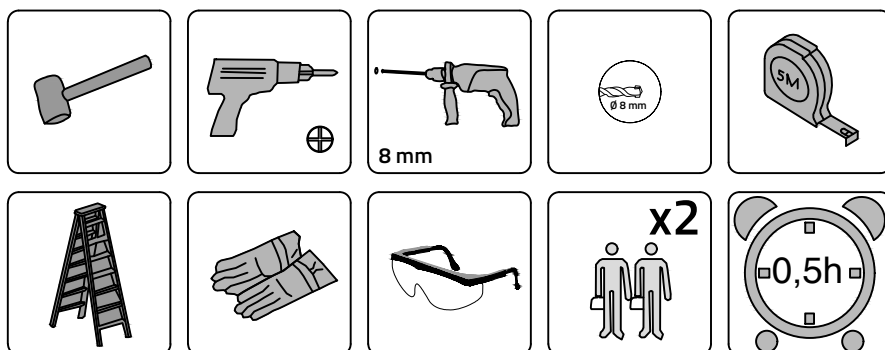
GERMAN QUALITY

BBSU-300CG

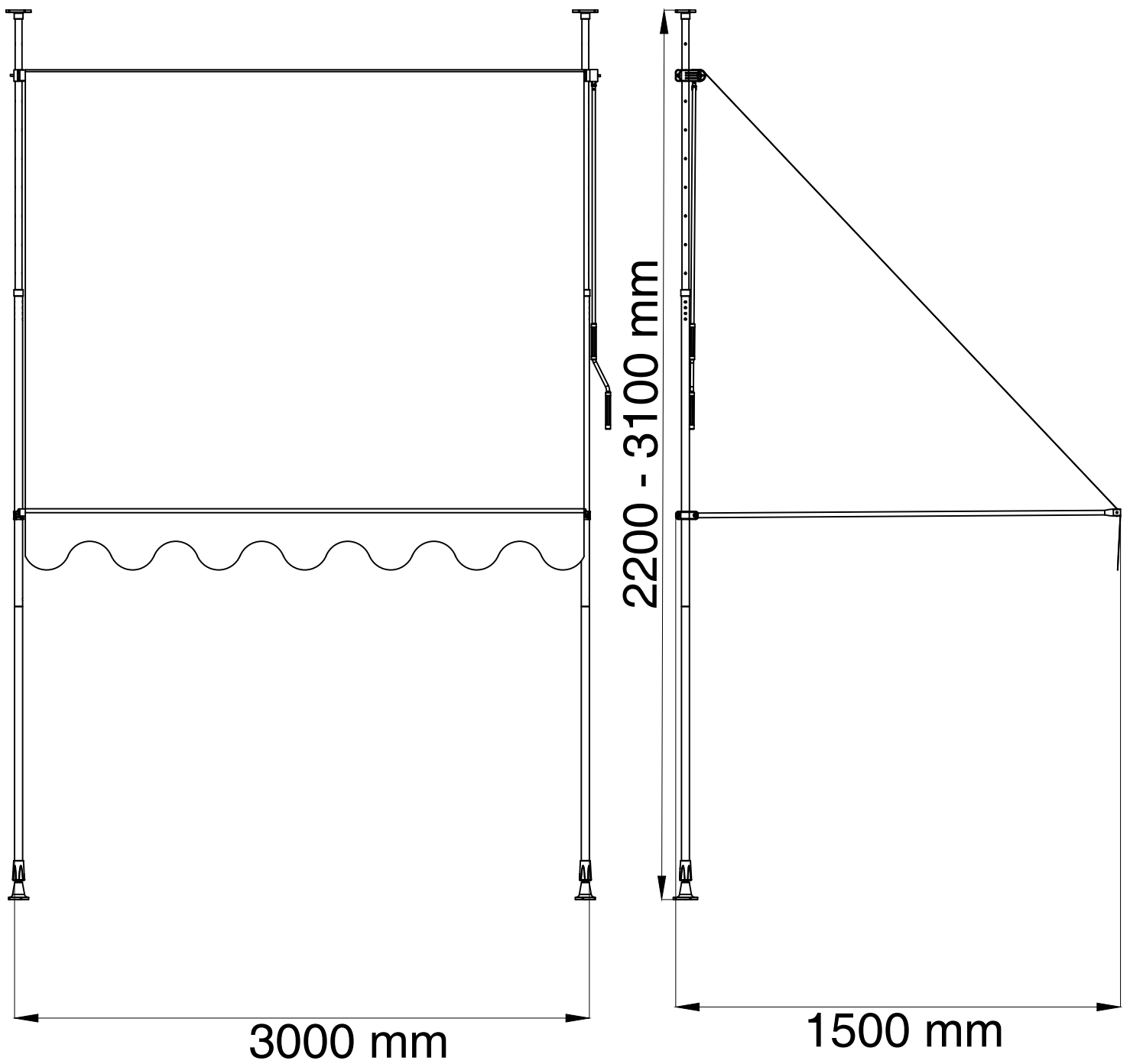
300 x 150 cm


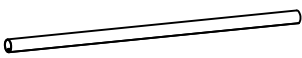




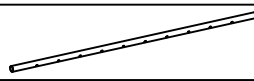








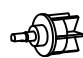
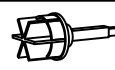

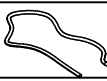





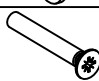


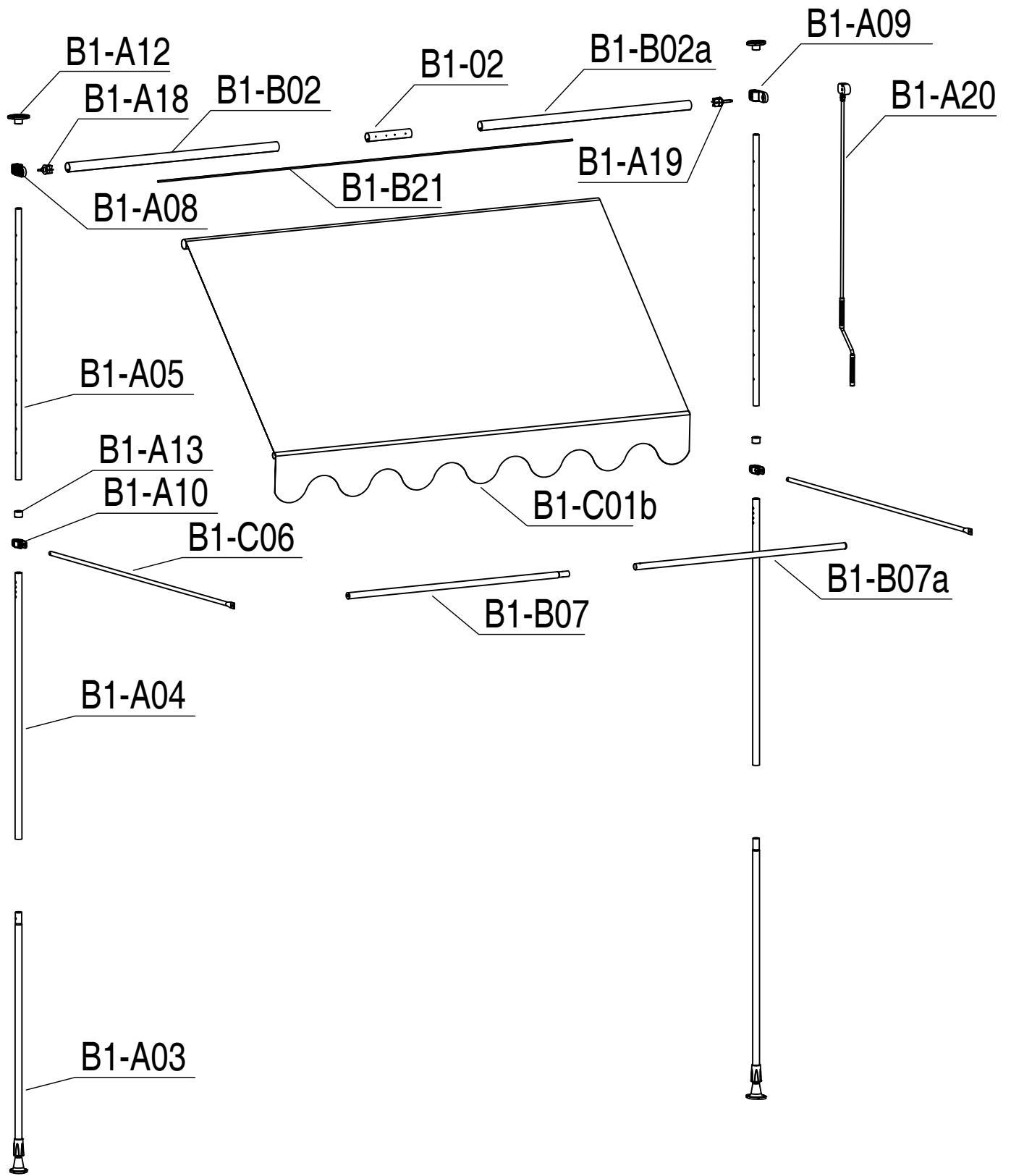
DE Markise
CZ Markýza
SK Markíza
PL Markiza
HU Napellenző
RO Copertină

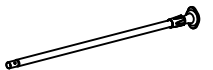
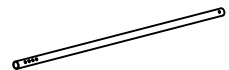


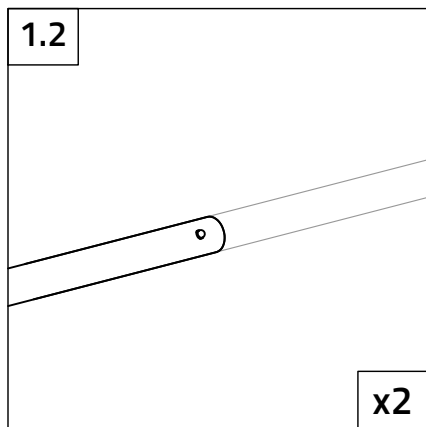
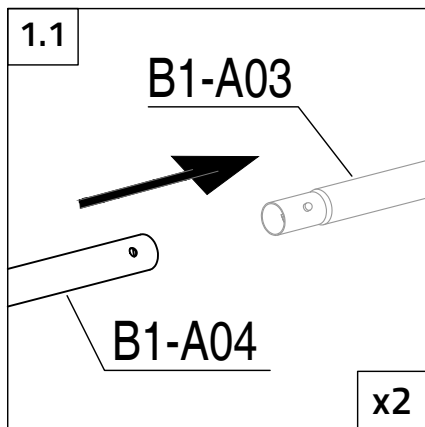
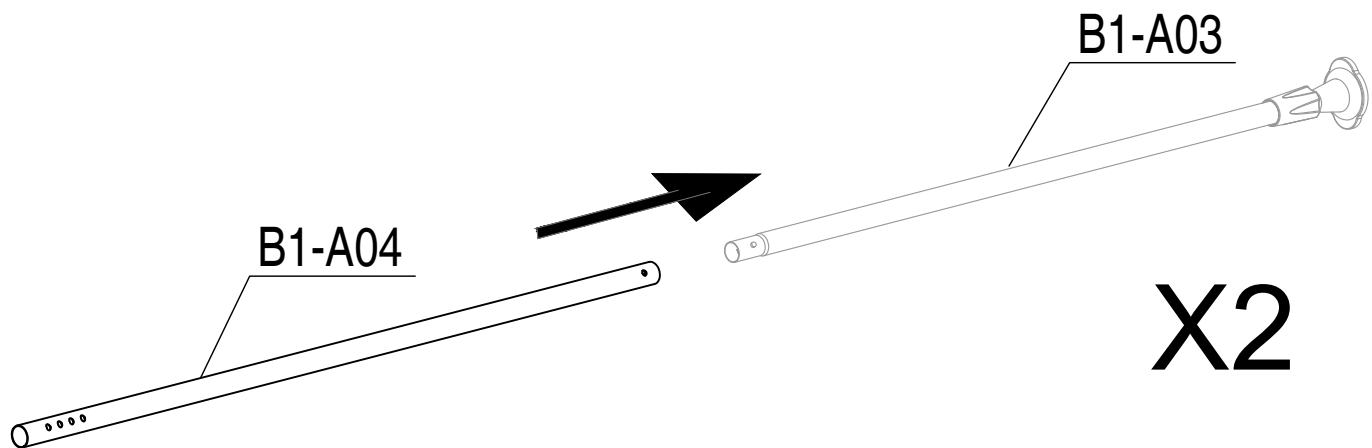
300 x 150 cm



NO.	IMAGE	mm	QTY
B1-B01b		2940mm	1
B1-B02		1484mm	1
B1-B02a		1484mm	1
B1-02		200mm	1
B1-A03		1070mm	2
B1-A04		1100mm	2
B1-A05		1120mm	2
B1-C06		1450mm	2
B1-B07		1534mm	1
B1-B07a		1484mm	1
B1-A08		104mm	1
B1-A09		104mm	1
B1-A10		78mm	2
B1-A12		89mm	2
B1-A13		23mm	2
B1-A18		Ø38	1
B1-A19		Ø38	1
B1-A20		1200	1
B1-B21		2960	1
B1-50		M6X35	8
B1-51		M6	8
B1-52		St4.2x13	4
B1-53		M8	2
B1-54		Ø8	2
B1-55		M5x35	2



1				
	B1-A03[x2]	B1-A04[x2]		



2



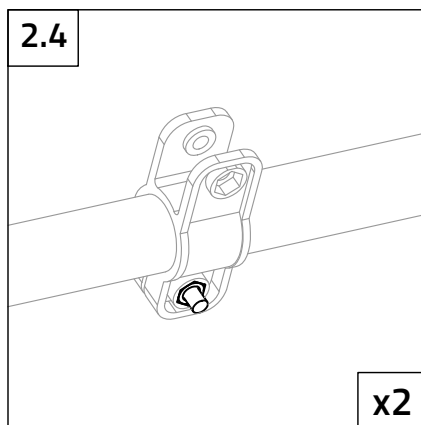
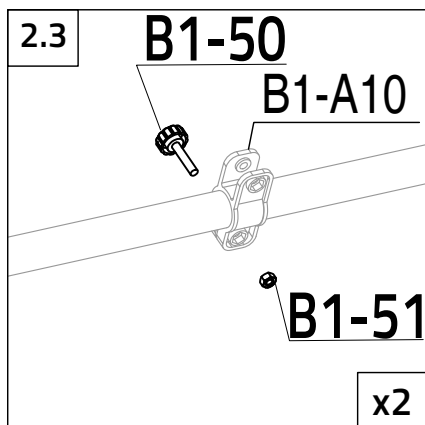
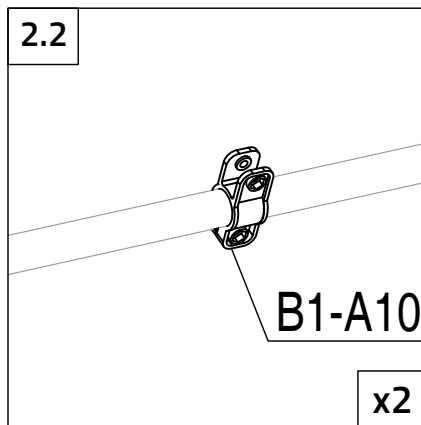
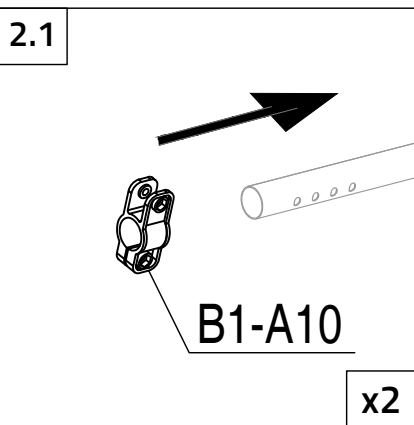
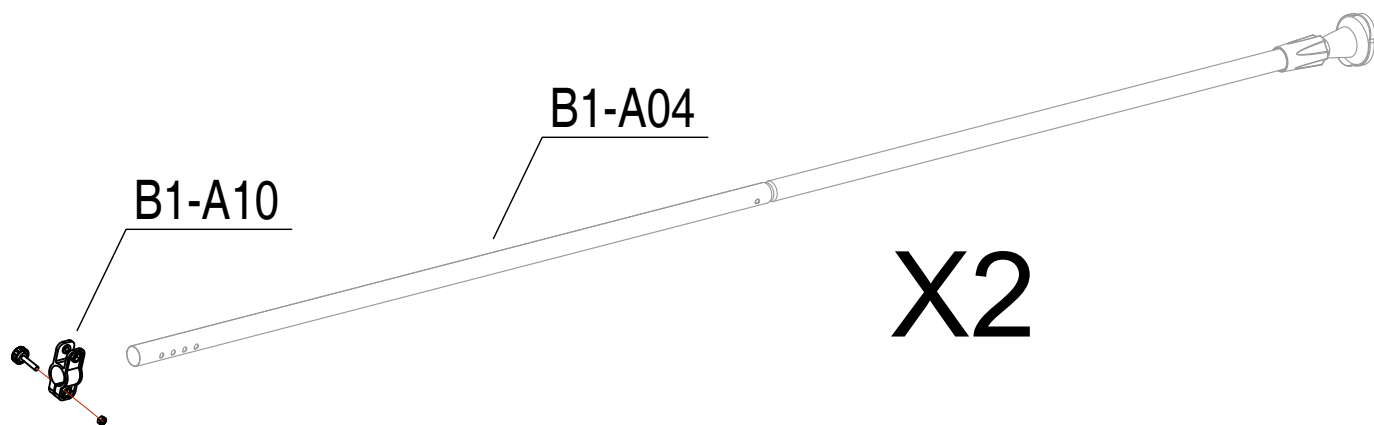
B1-A10[x2]




B1-50[x2]

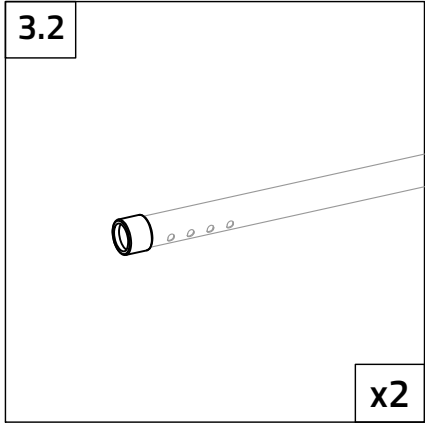
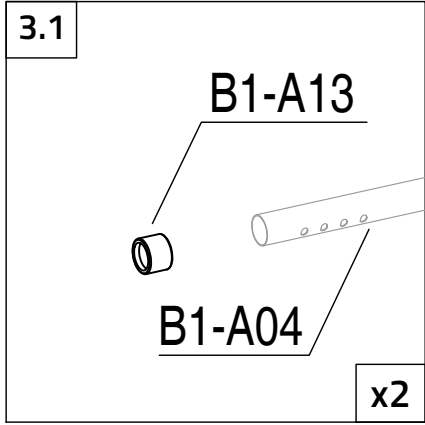
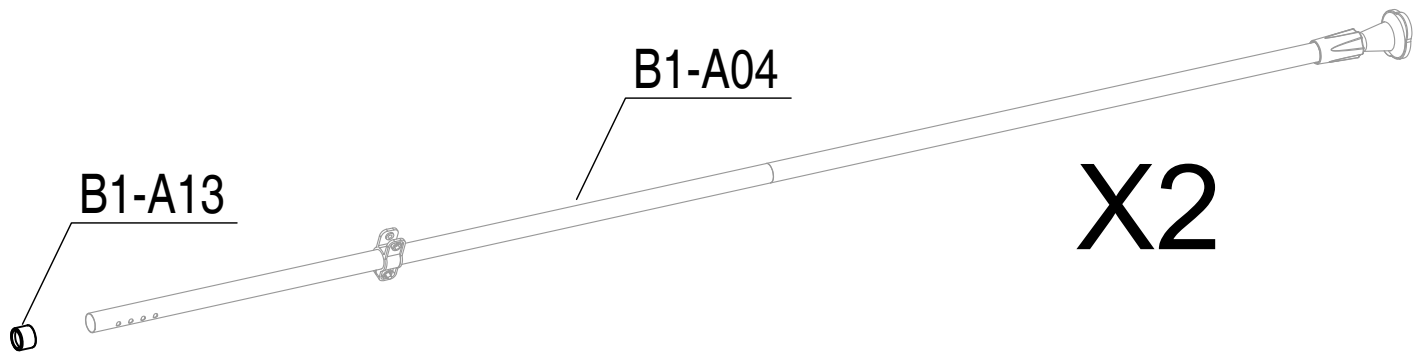


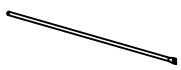


B1-51[x2]

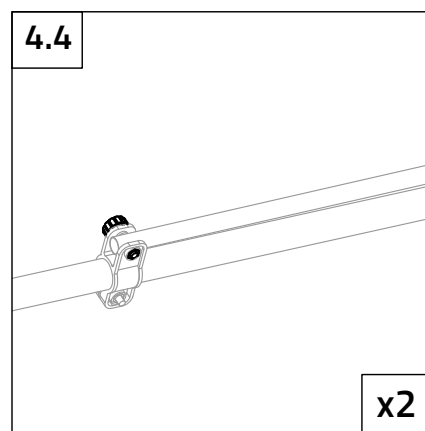
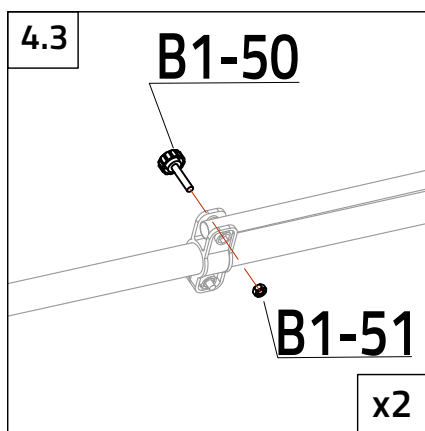
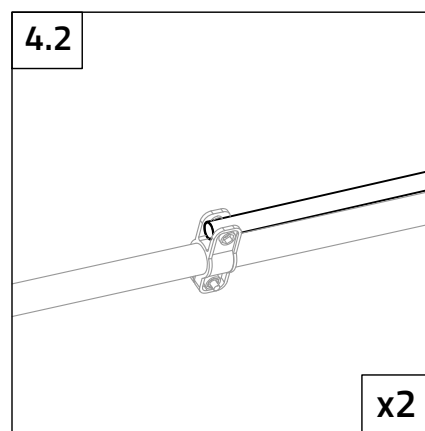
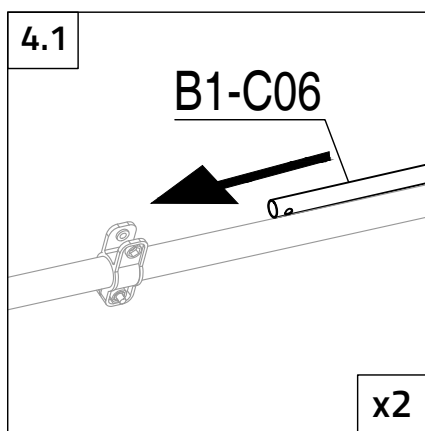
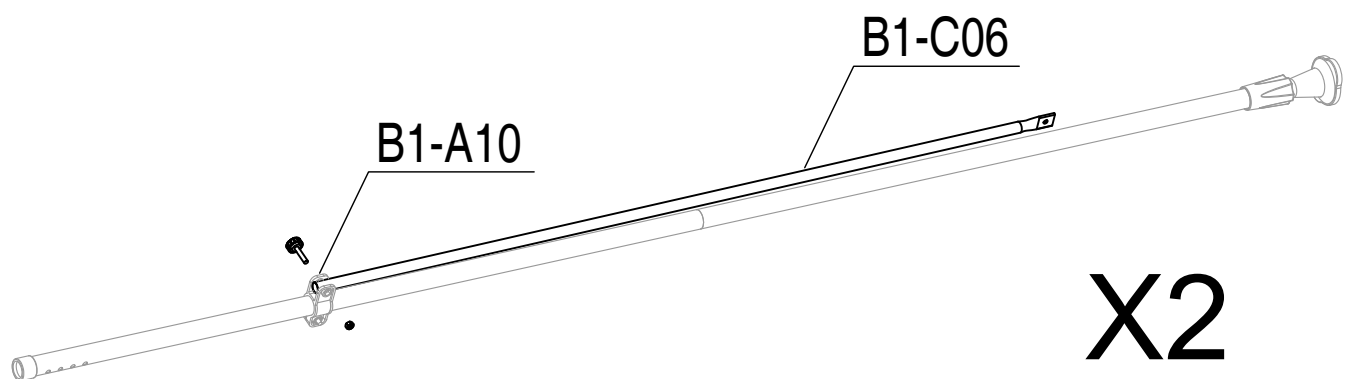






3

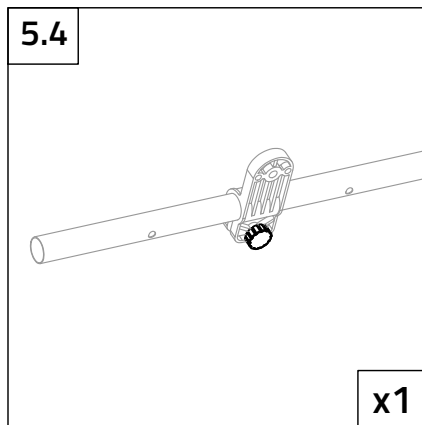
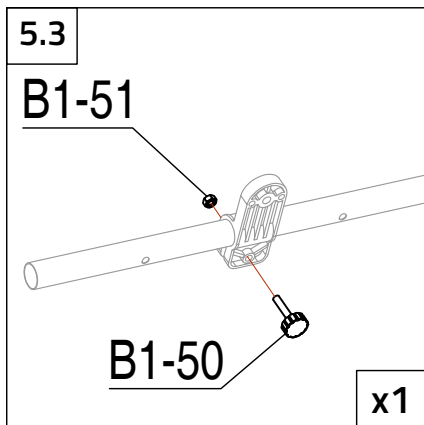
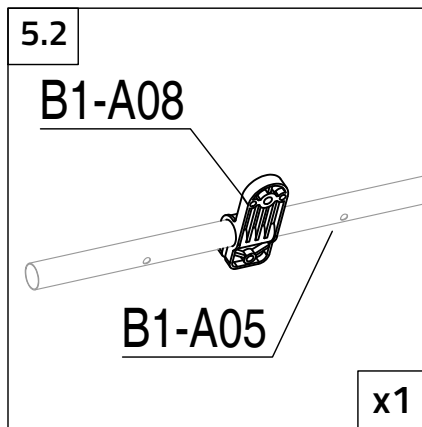
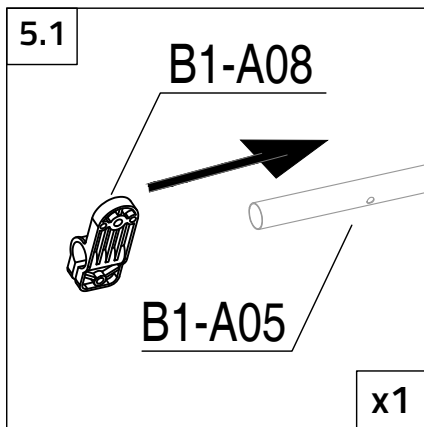
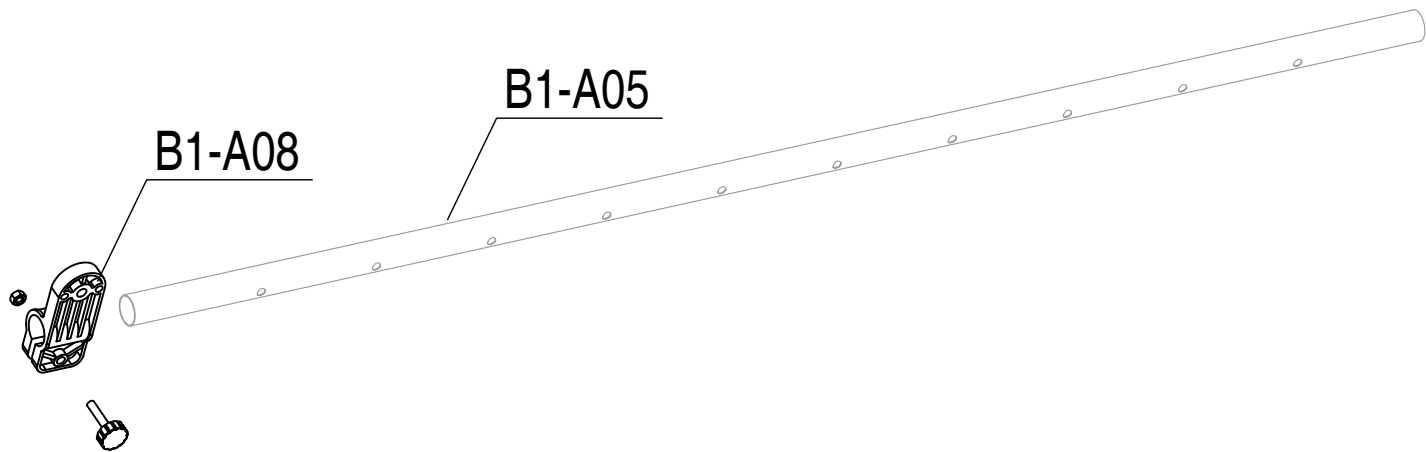

B1-A13[x2]






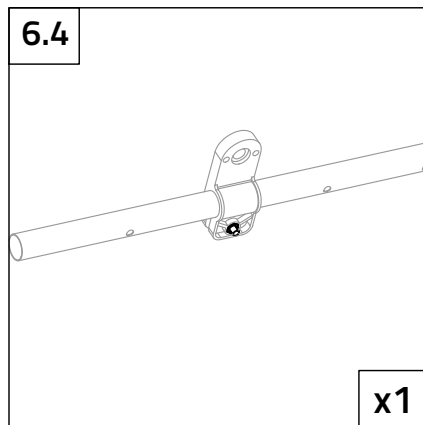
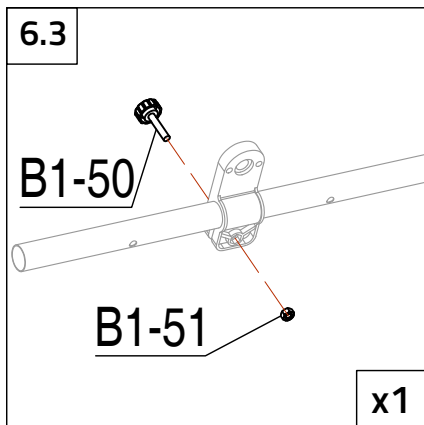
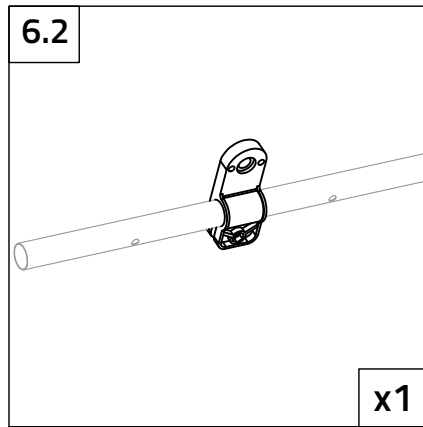
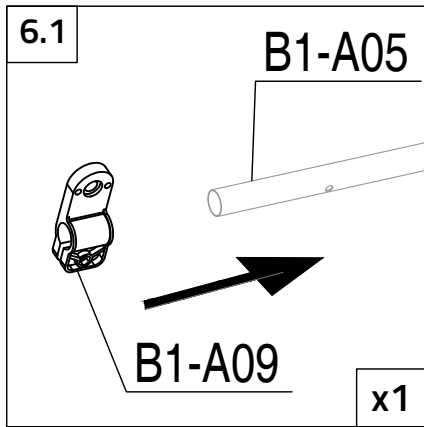
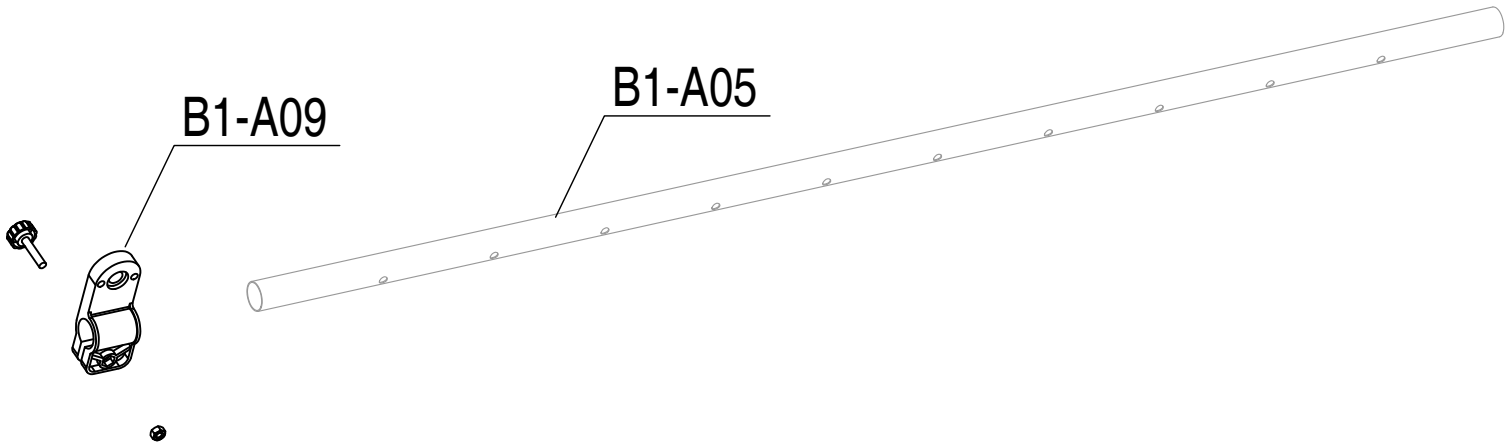
4	 B1-C06[x2]	 B1-50[x2]	 B1-51[x2]	
---	-------------------------------------------------------------------------------------------------	------------------------------------------------------------------------------------------------	-------------------------------------------------------------------------------------------------	--



5	 B1-A08[x1]	 B1-50[x1]	 B1-51[x1]	 B1-A05[x1]
---	-------------------------------------------------------------------------------------------------	------------------------------------------------------------------------------------------------	-------------------------------------------------------------------------------------------------	---------------------------------------------------------------------------------------------------



6	 B1-A09[x1]	 B1-50[x1]	 B1-51[x1]	 B1-A05[x1]
---	-------------------------------------------------------------------------------------------------	------------------------------------------------------------------------------------------------	-------------------------------------------------------------------------------------------------	---------------------------------------------------------------------------------------------------



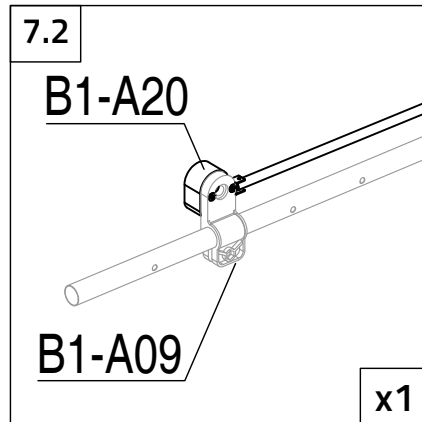
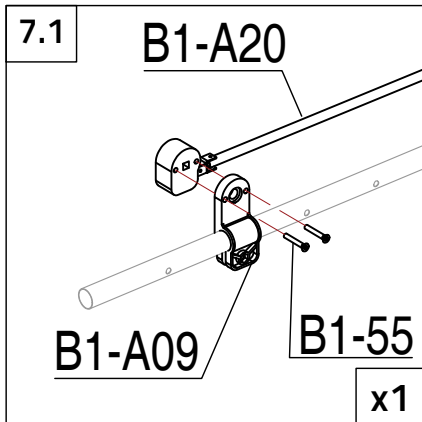
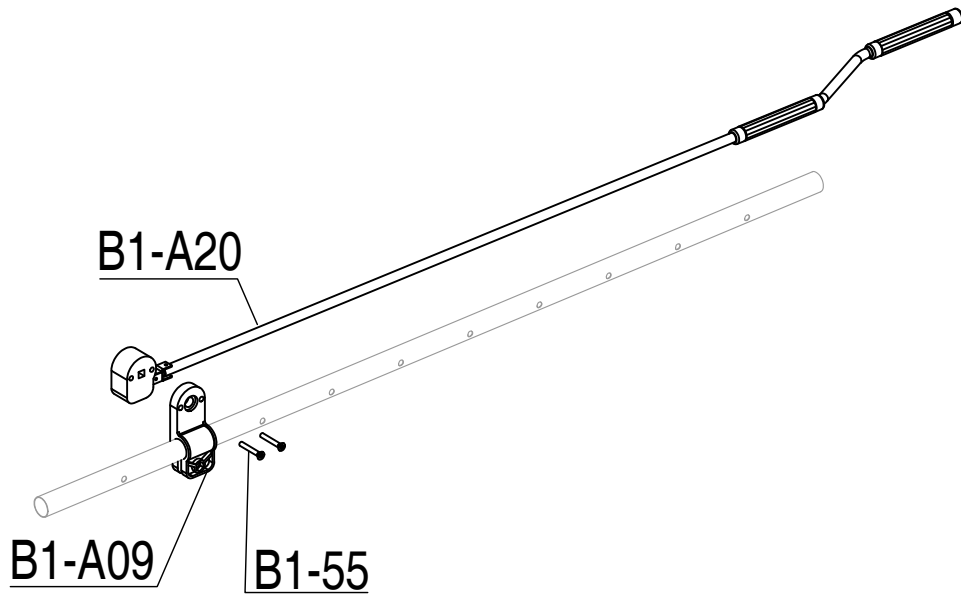
7




B1-A20[x1]




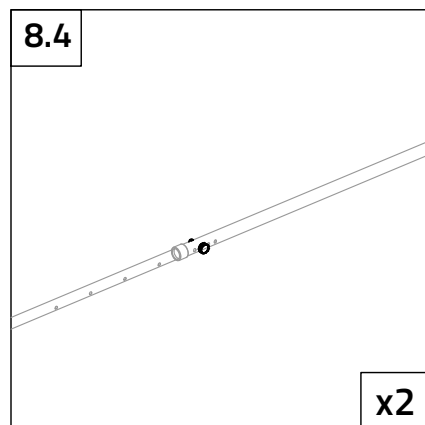
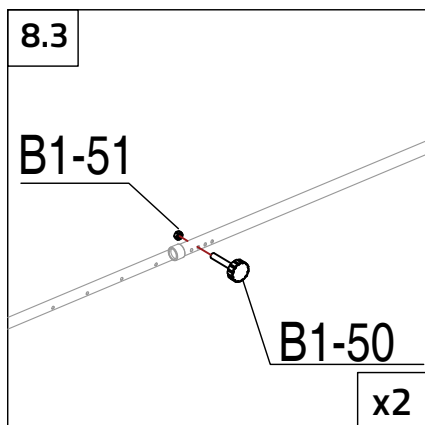
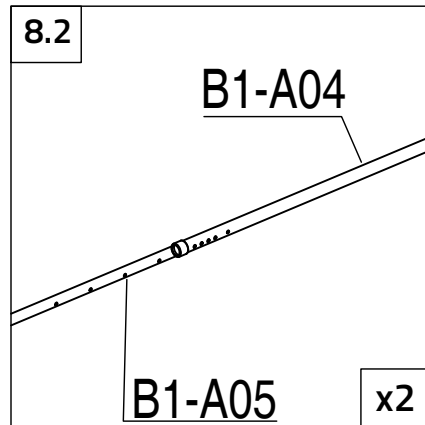
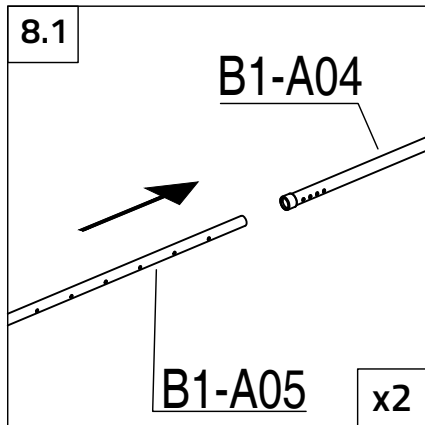
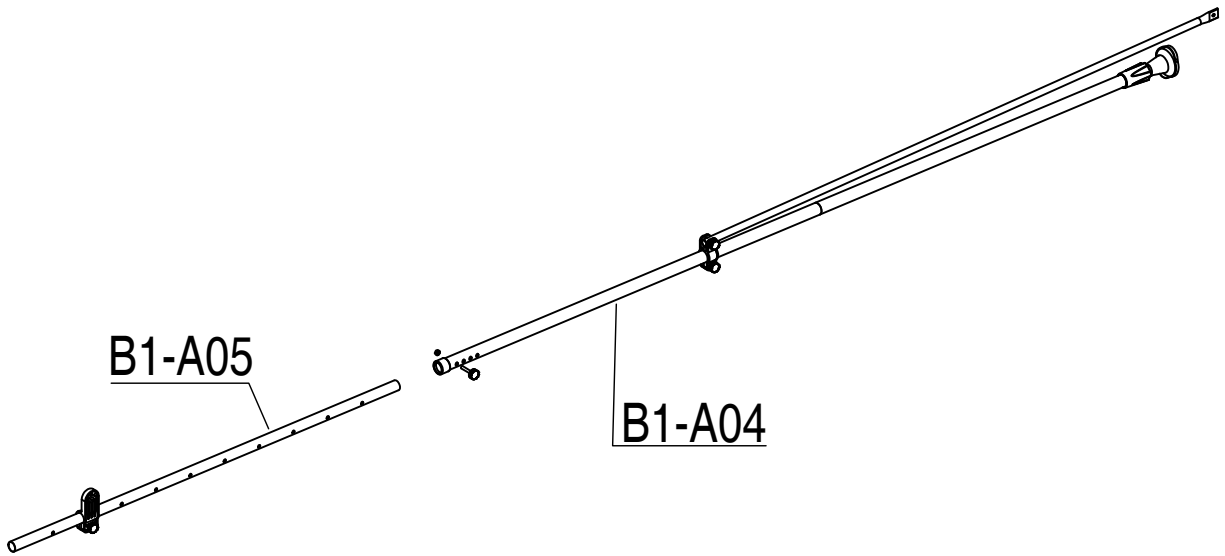
B1-55[x2]



8


B1-50[x2]

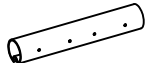

B1-51[x2]



9



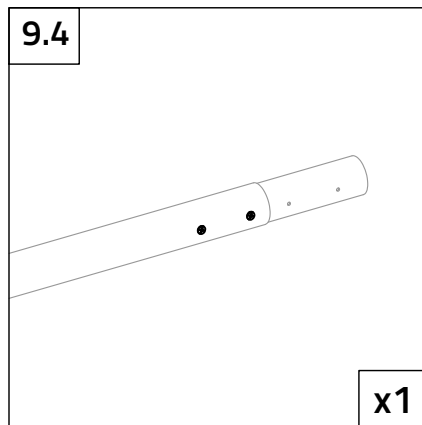
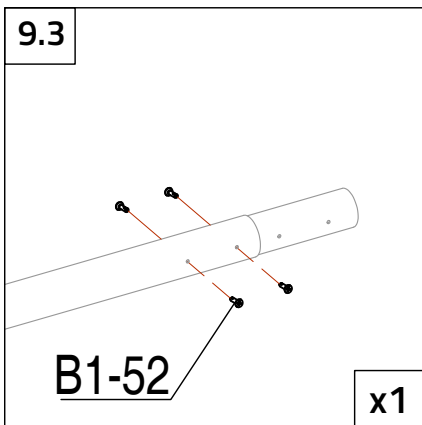
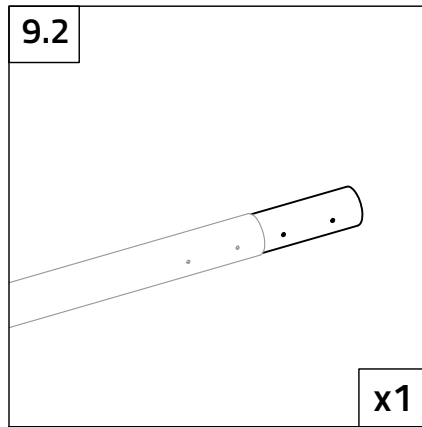
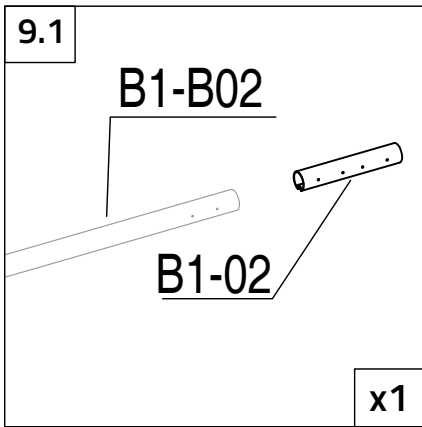
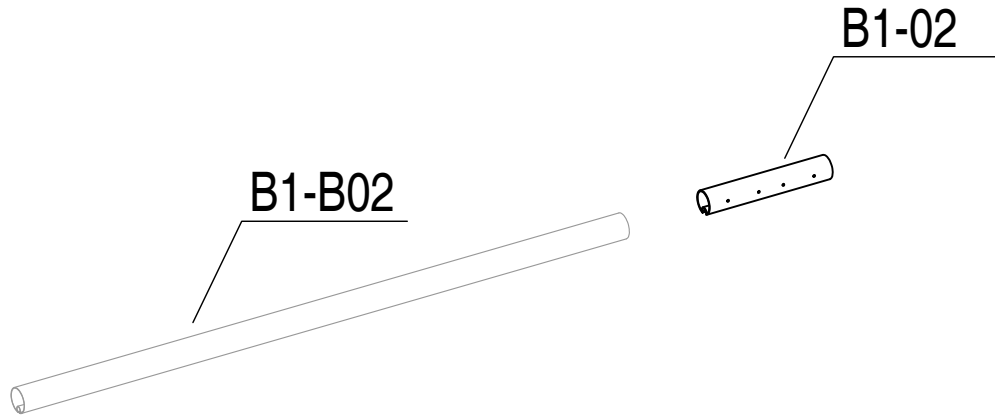
B1-B02[x1]





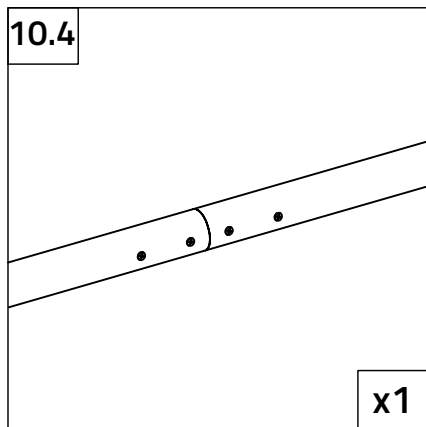
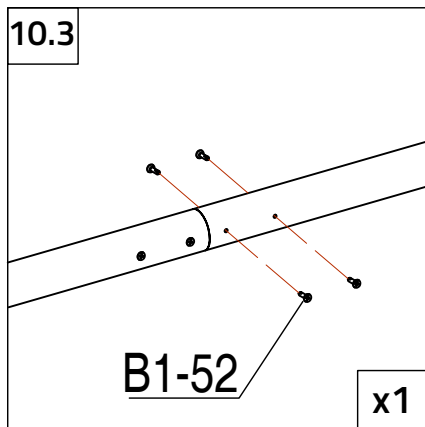
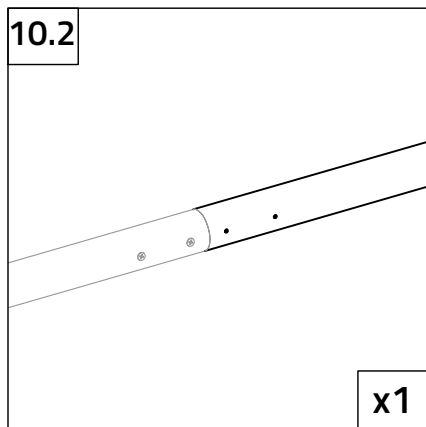
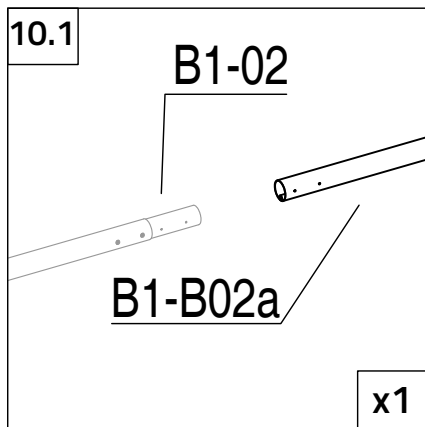
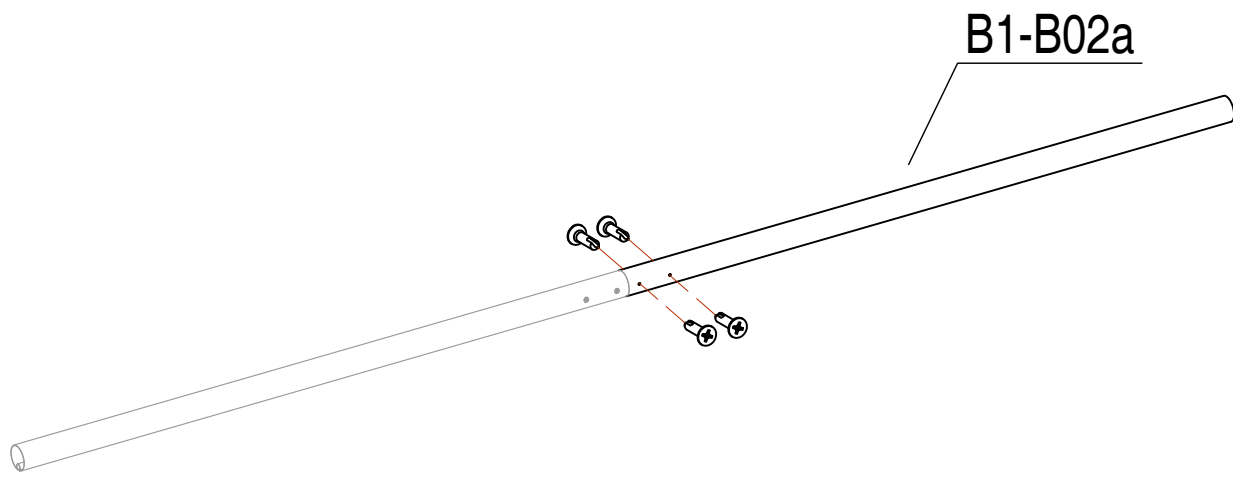
B1-02[x1]



B1-52[x2]



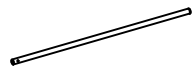
10	 B1-B02a[x1]	 B1-52[x2]	
----	--------------------------------------------------------------------------------------------------	------------------------------------------------------------------------------------------------	--



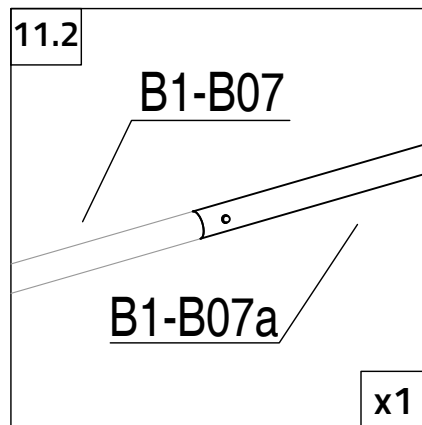
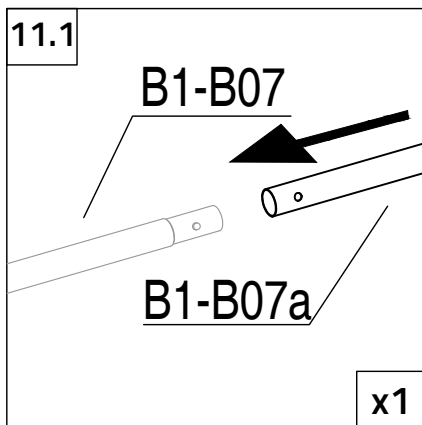
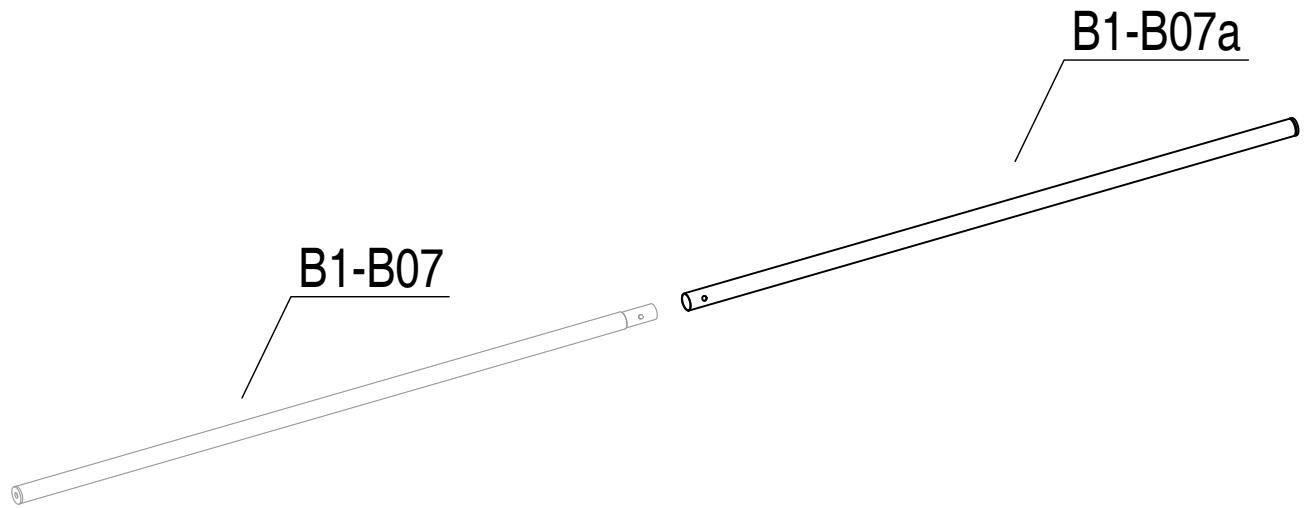
11





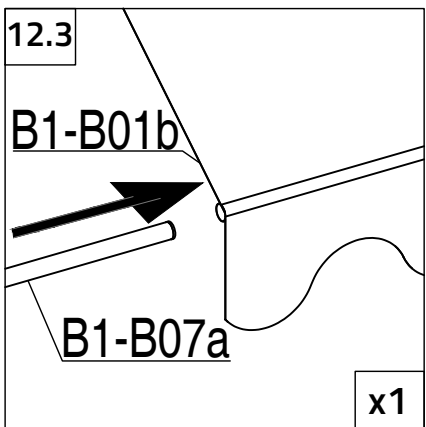
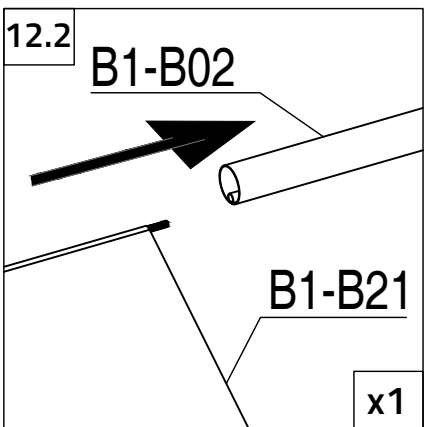
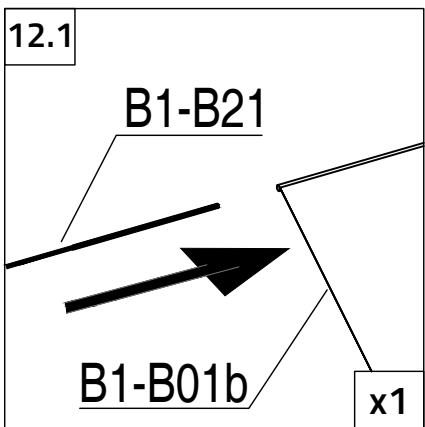
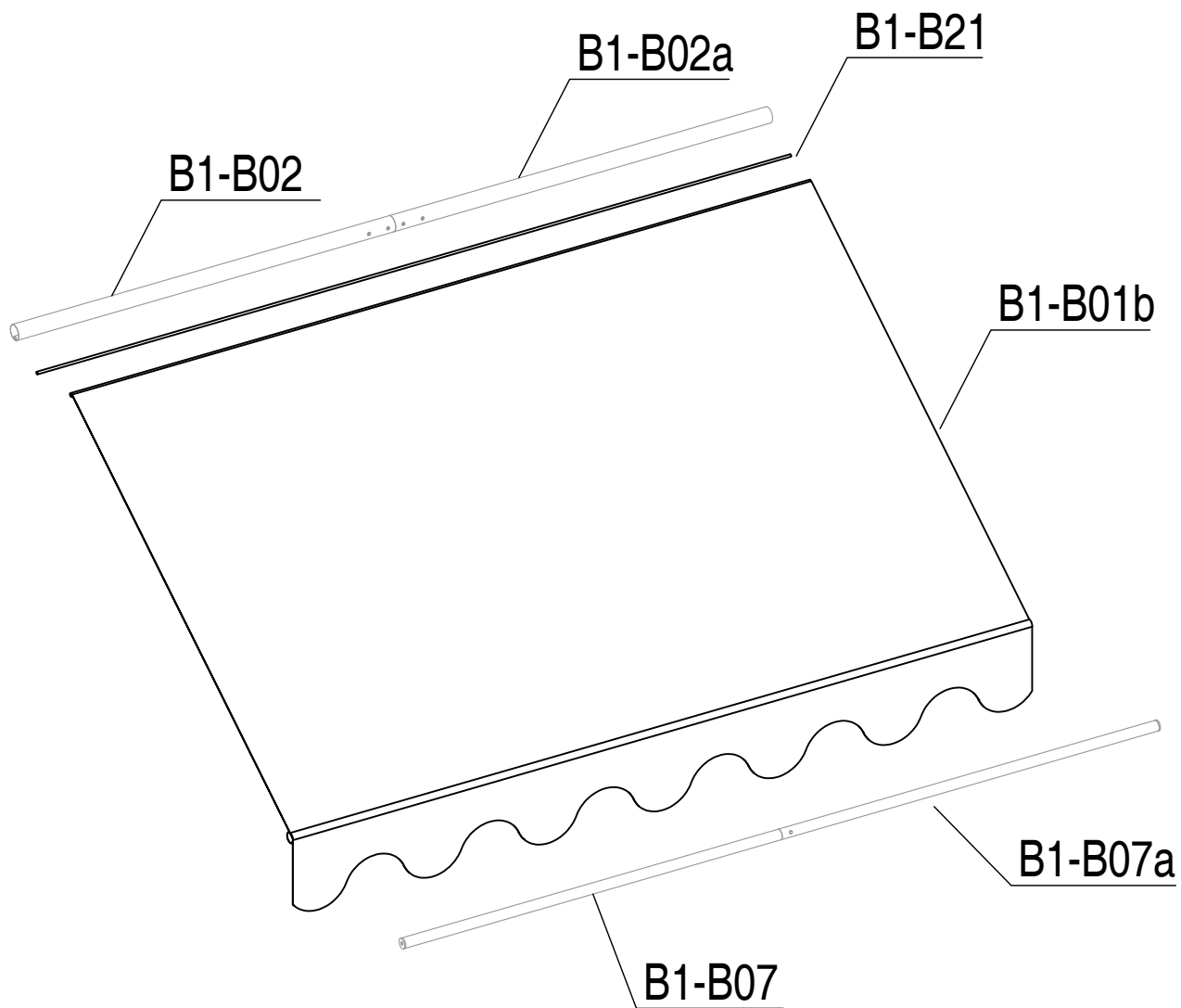
B1-B07[x1]



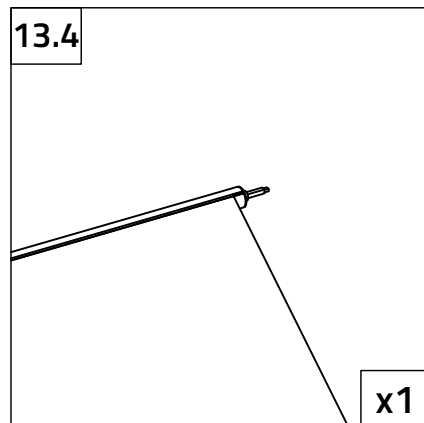
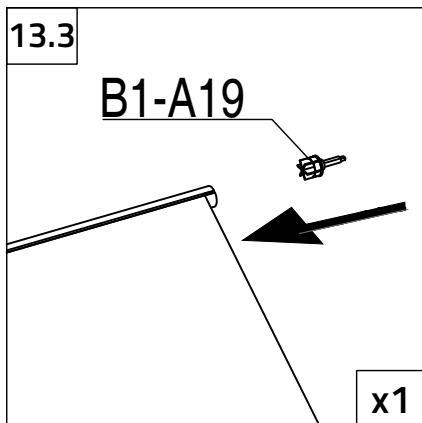
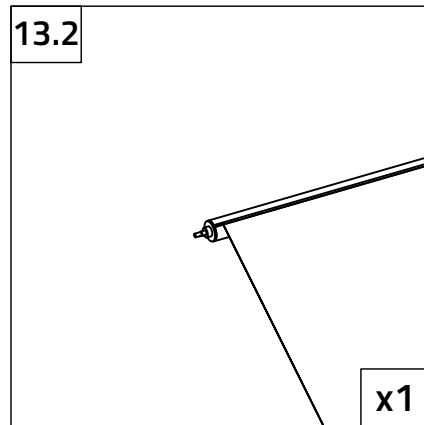
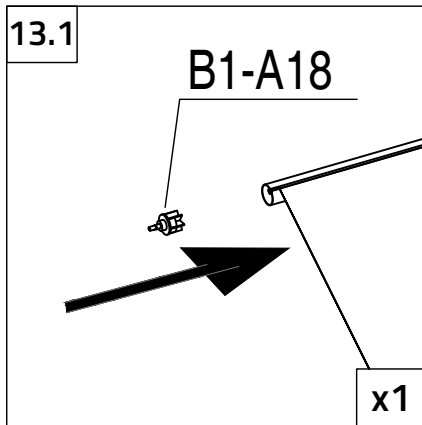
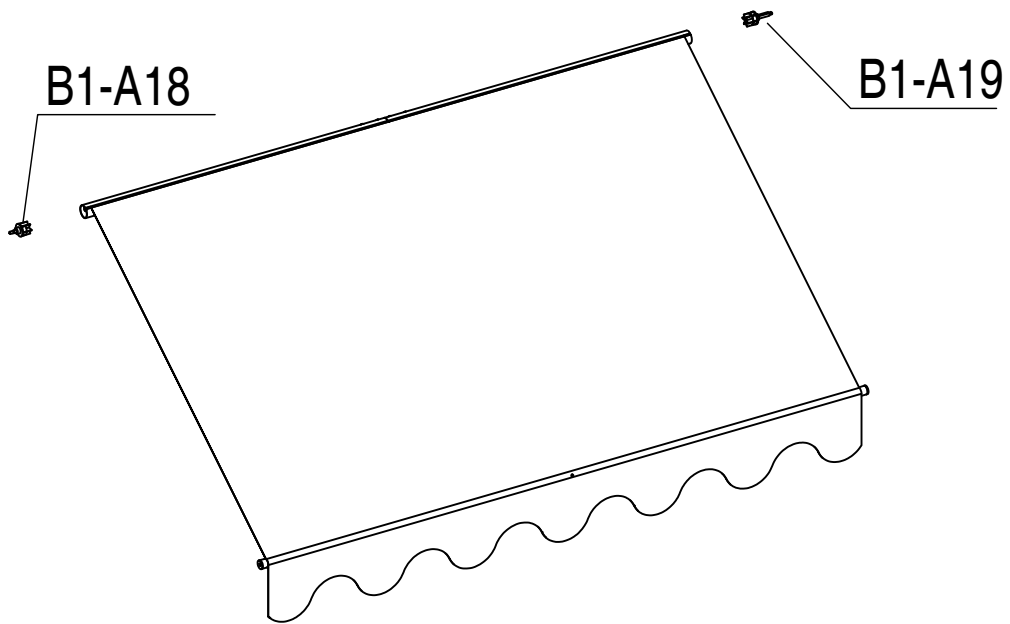
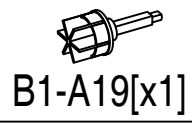
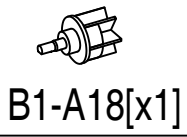
B1-B07a[x1]



12	 B1-B21[x1]	 B1-B01b[x1]	
----	-------------------------------------------------------------------------------------------------	--------------------------------------------------------------------------------------------------	--



13



14



B1-53[x2]



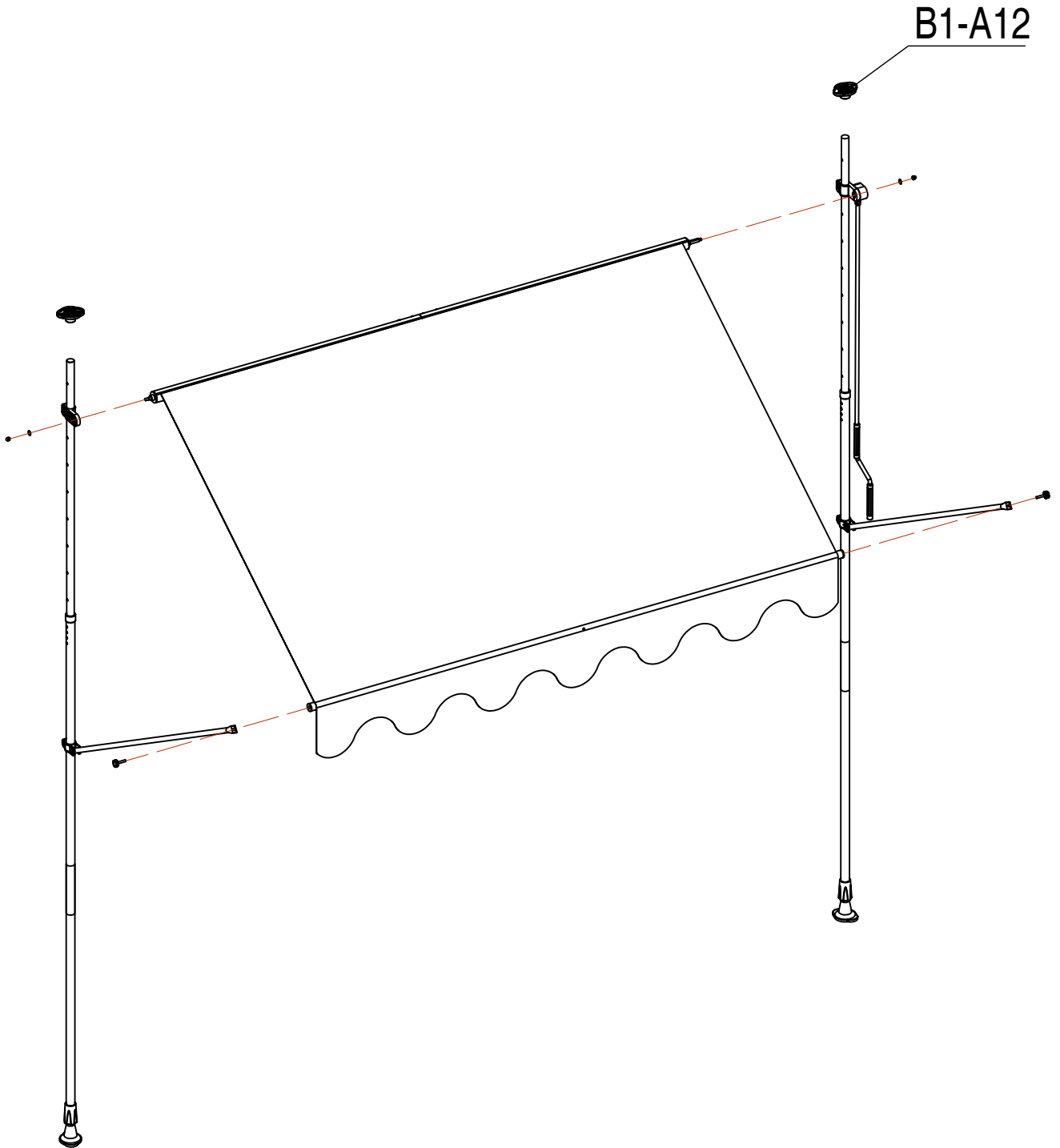
B1-54[x2]

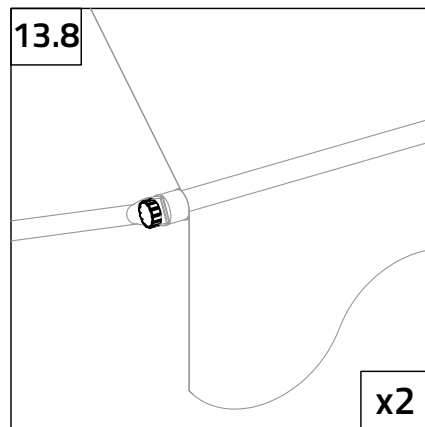
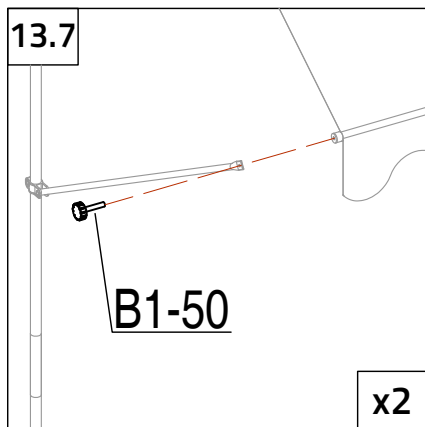
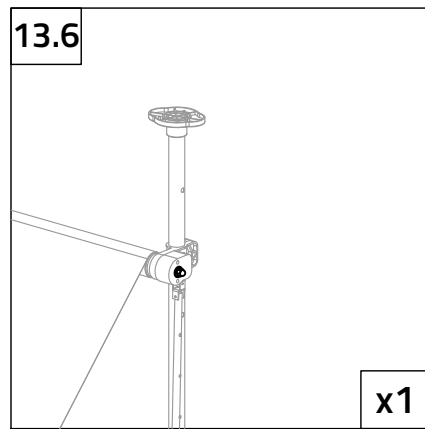
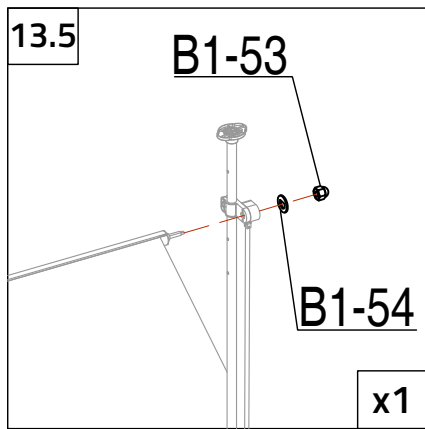
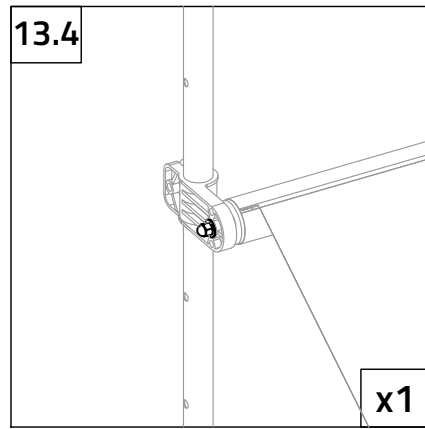
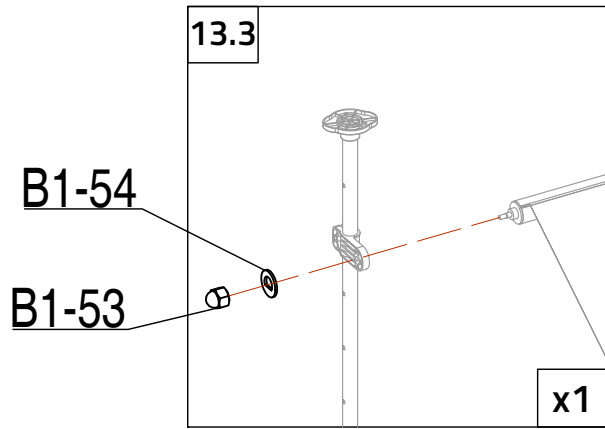
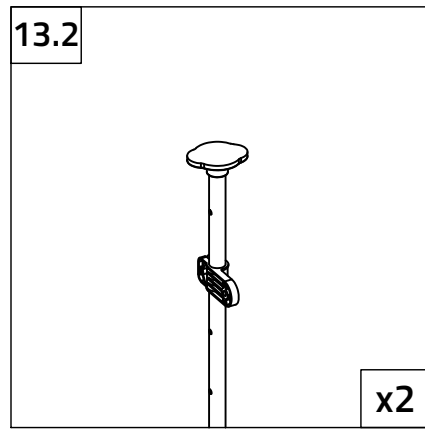
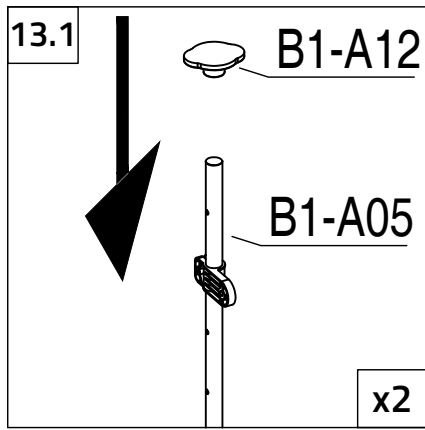


B1-50[x2]



B1-A12[x2]





16

