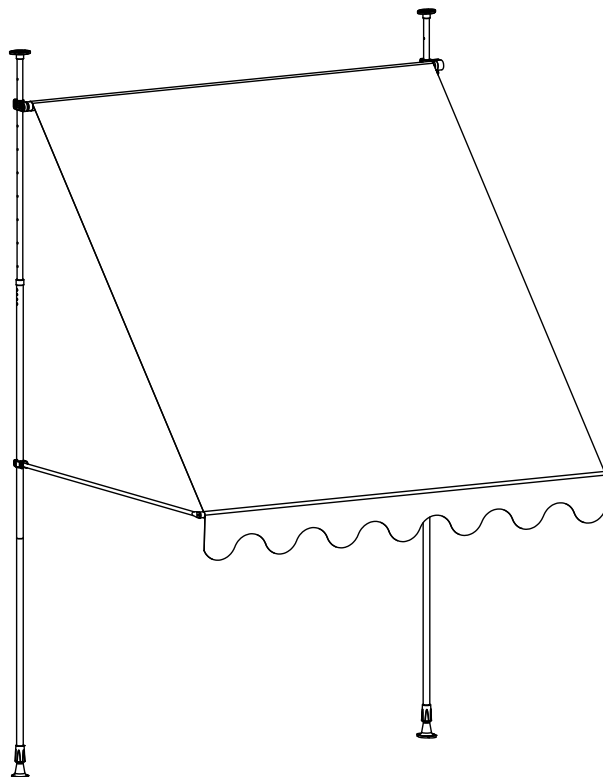


BESTBERG

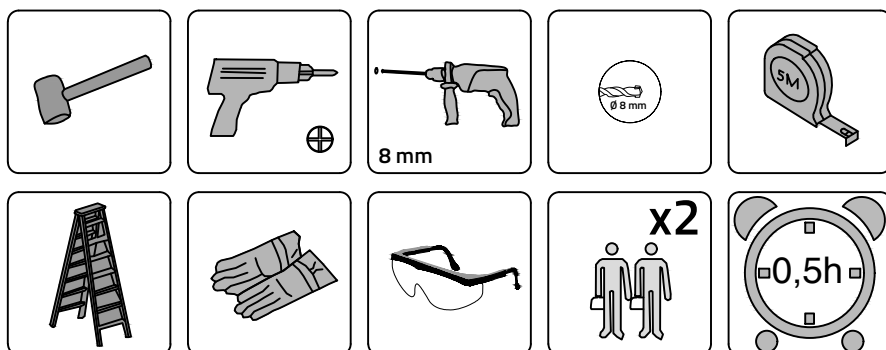
GERMAN QUALITY

BBSU-350CG

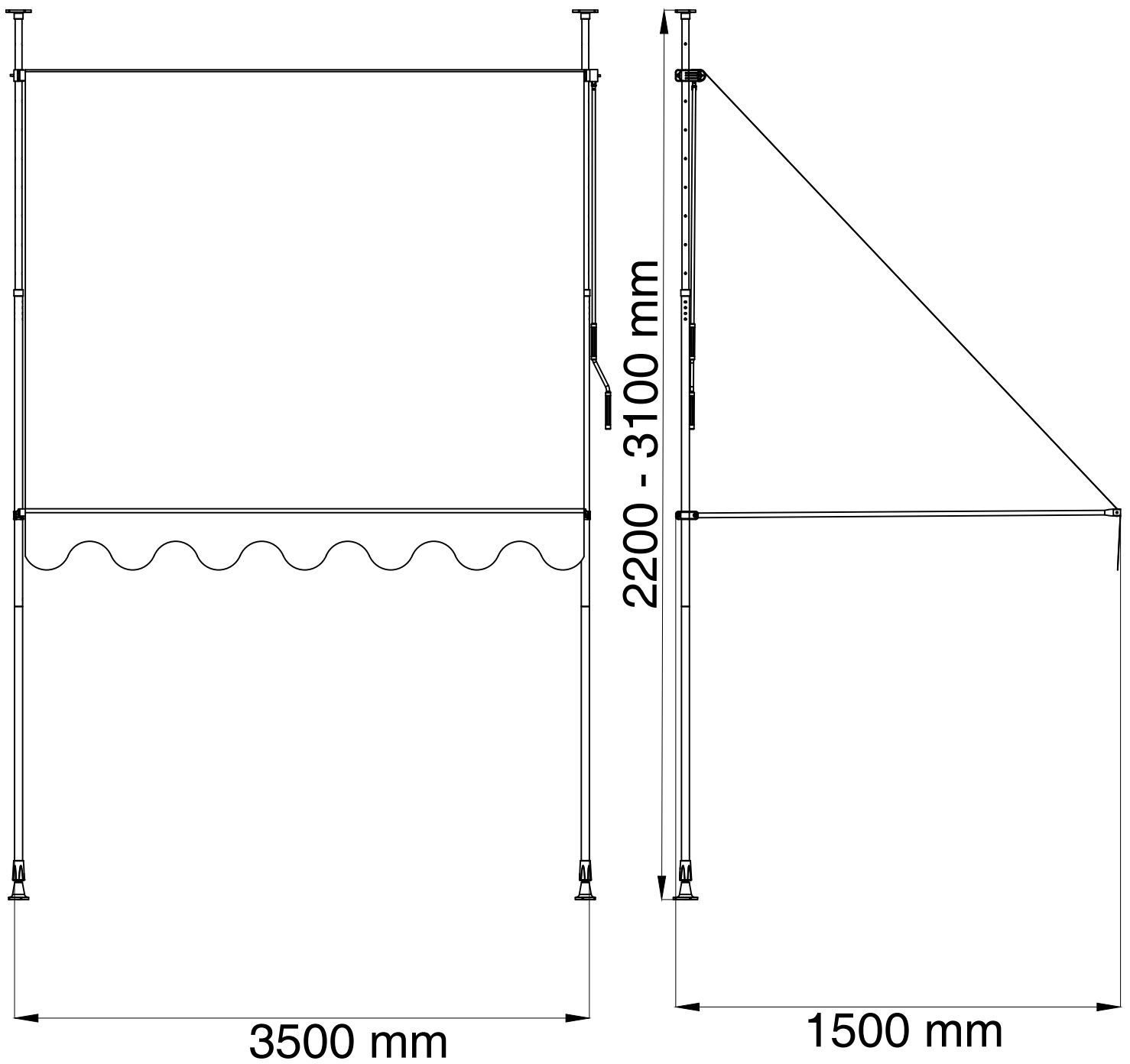
350 x 150 cm


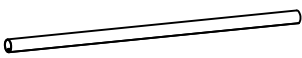




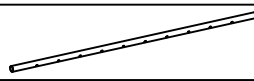








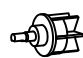
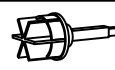
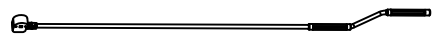






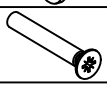


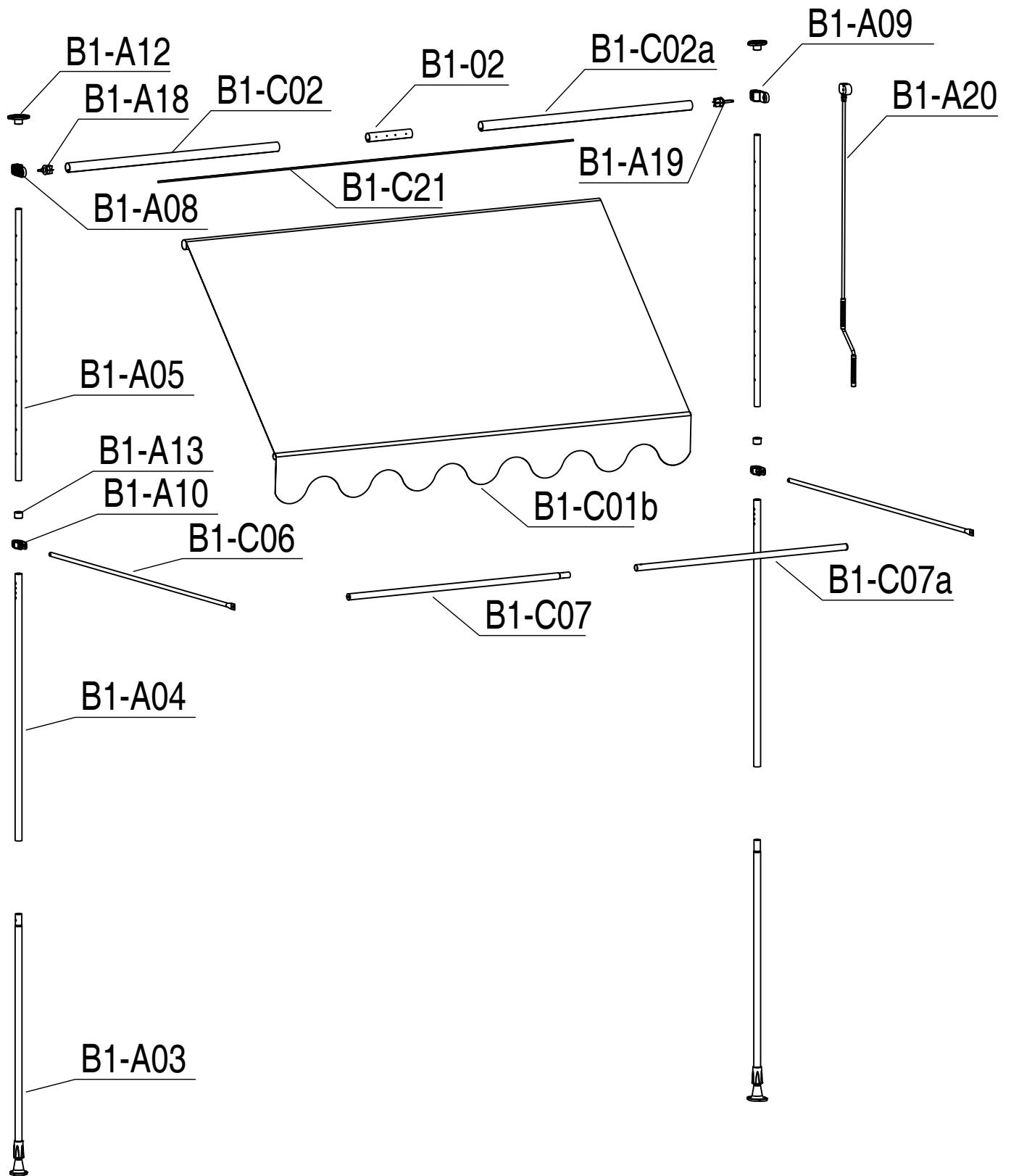
DE Markise
CZ Markýza
SK Markíza
PL Markiza
HU Napellenző
RO Copertină

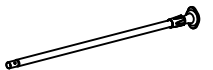
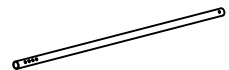


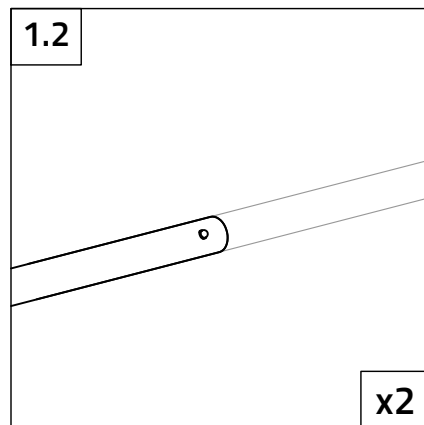
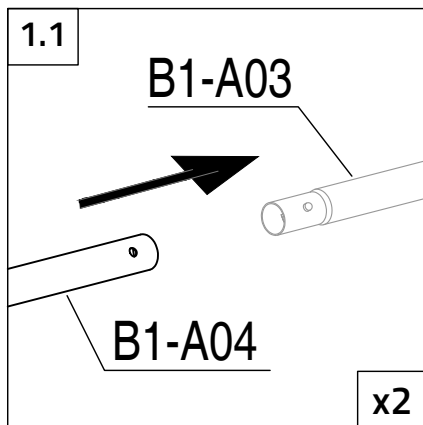
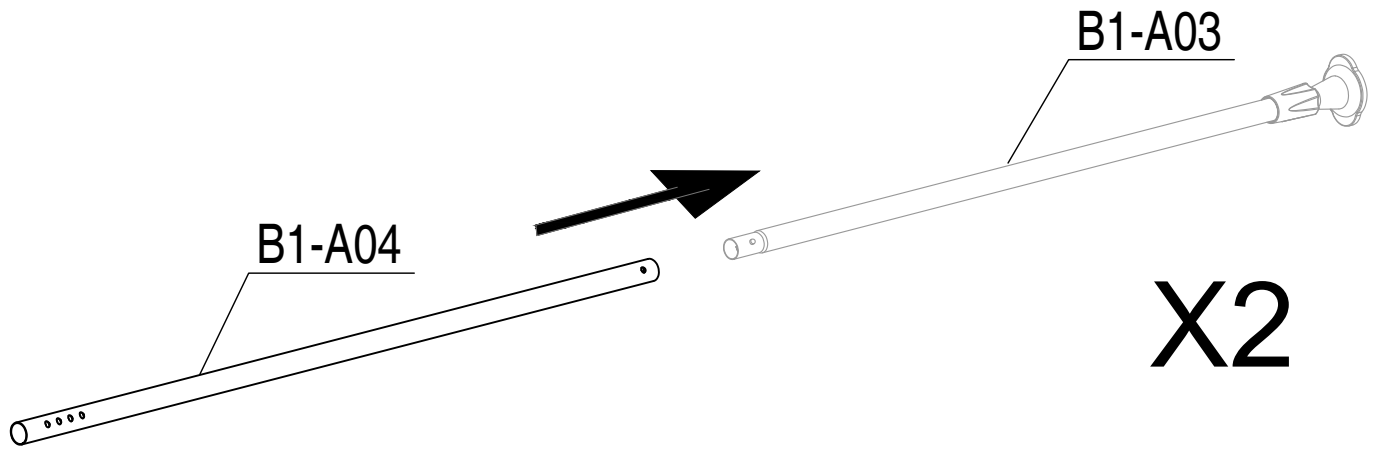
350 x 150 cm



NO.	IMAGE	mm	QTY
B1-C01b		3440mm	1
B1-C02		1734mm	1
B1-C02a		1734mm	1
B1-02		200mm	1
B1-A03		1070mm	2
B1-A04		1100mm	2
B1-A05		1120mm	2
B1-C06		1450mm	2
B1-B07		1784mm	1
B1-B07a		1734mm	1
B1-A08		104mm	1
B1-A09		104mm	1
B1-A10		78mm	2
B1-A12		89mm	2
B1-A13		23mm	2
B1-A18		Ø38	1
B1-A19		Ø38	1
B1-A20		1200	1
B1-B21		3460	1
B1-50		M6X35	8
B1-51		M6	8
B1-52		St4.2x13	4
B1-53		M8	2
B1-54		Ø8	2
B1-55		M5x35	2



1	 B1-A03[x2]	 B1-A04[x2]		
---	---	---	--	--



2



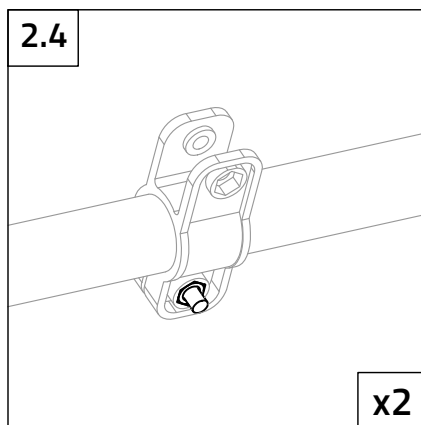
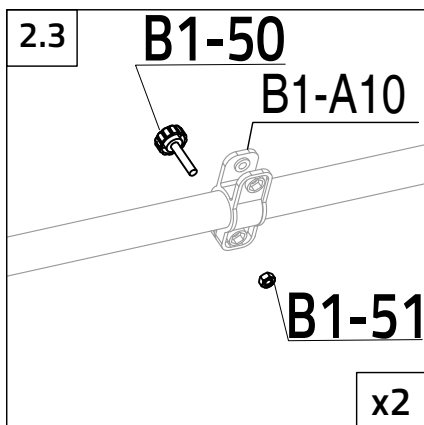
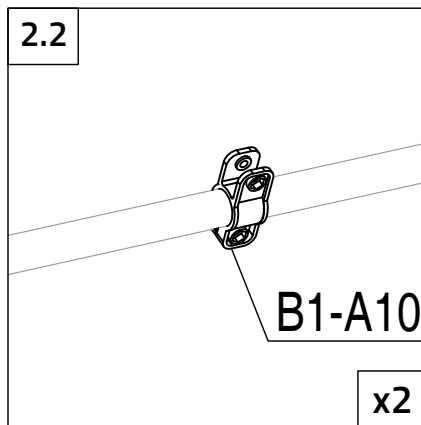
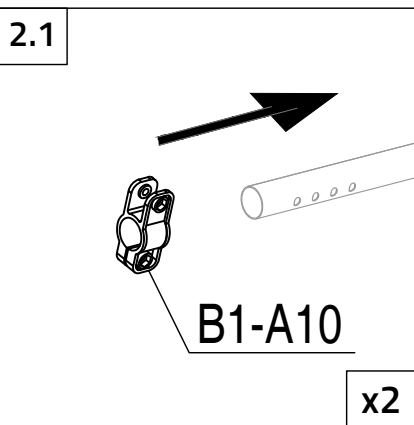
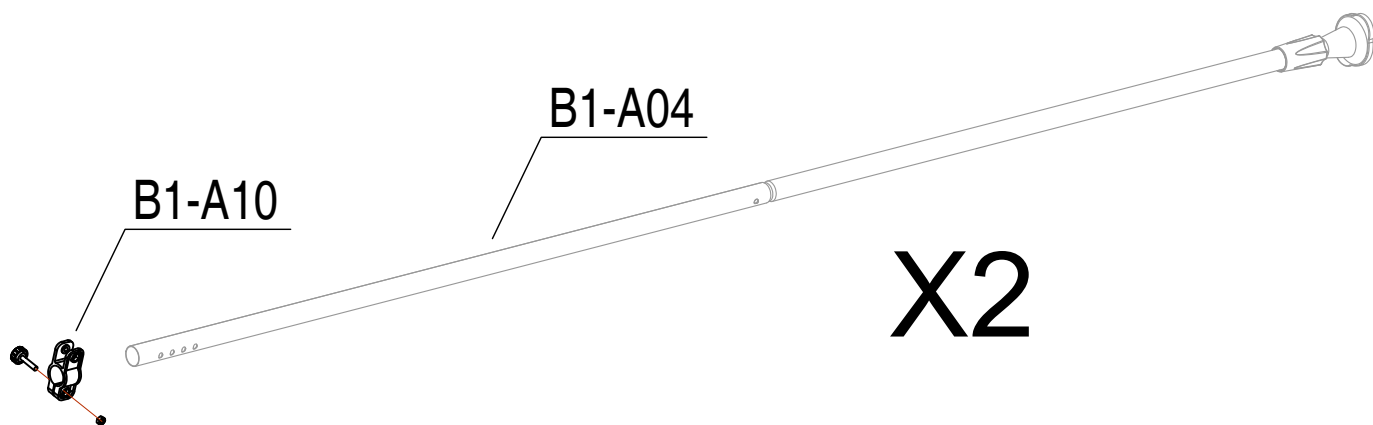
B1-A10[x2]




B1-50[x2]

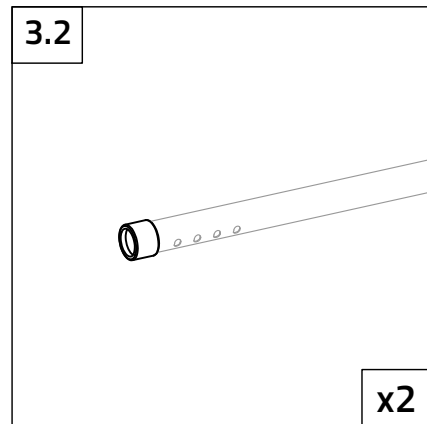
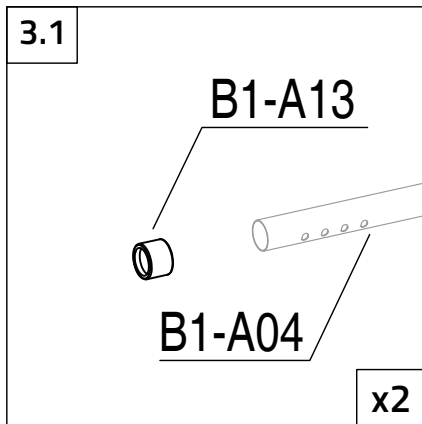
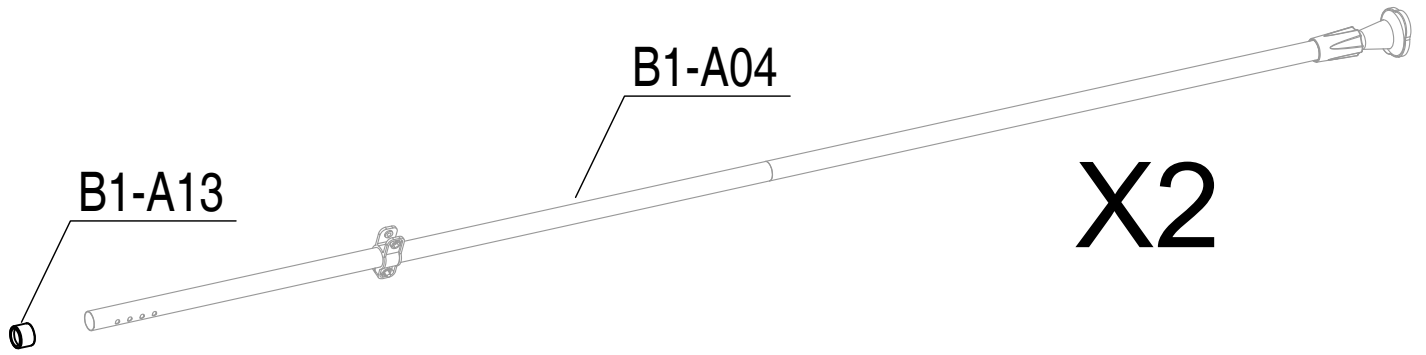


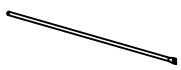


B1-51[x2]

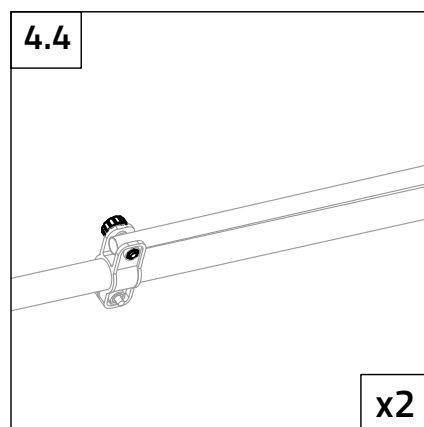
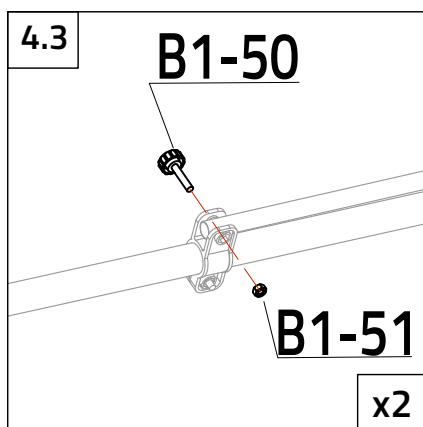
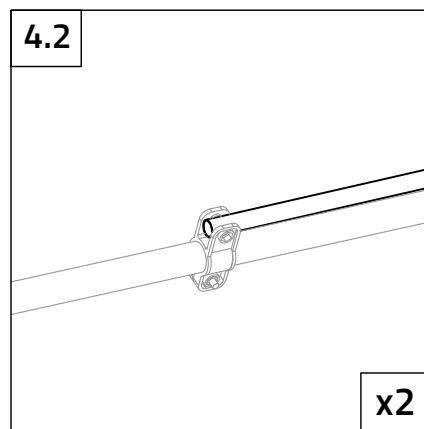
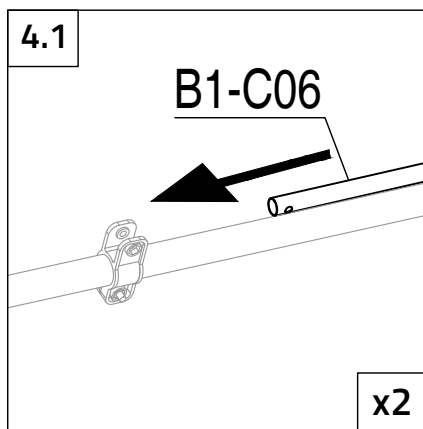
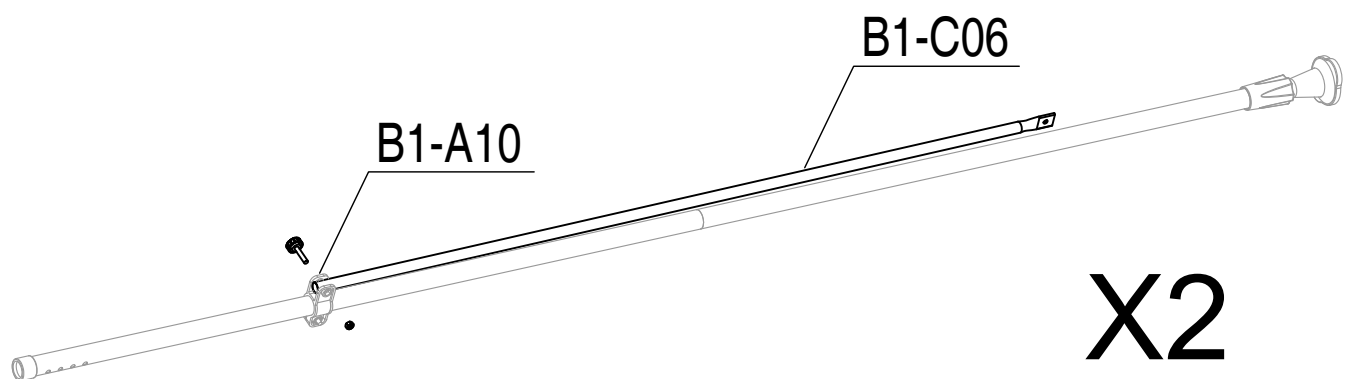





3

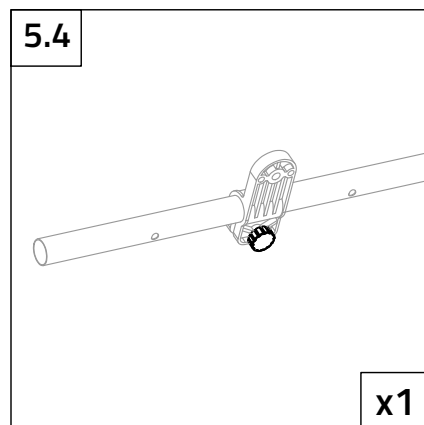
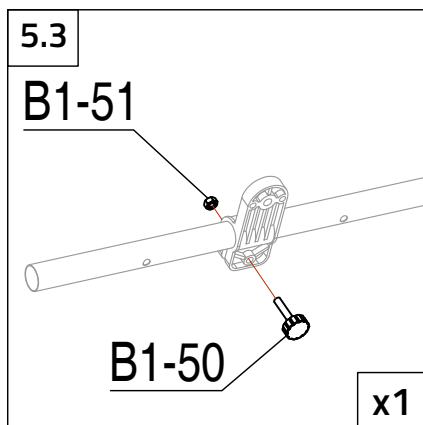
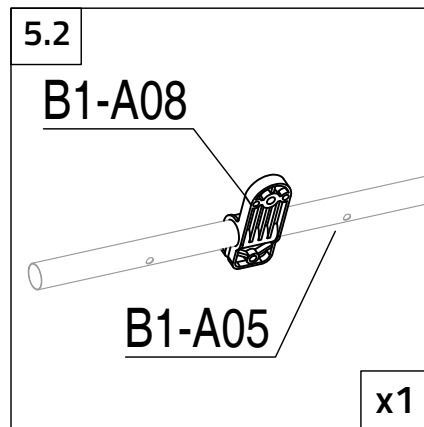
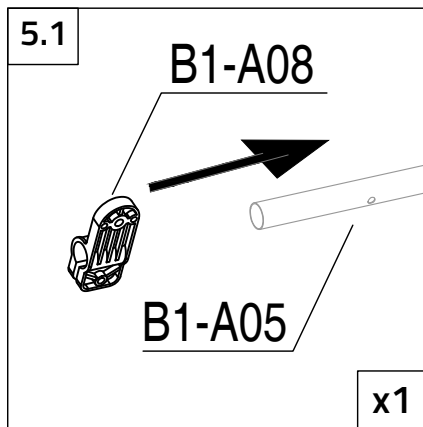
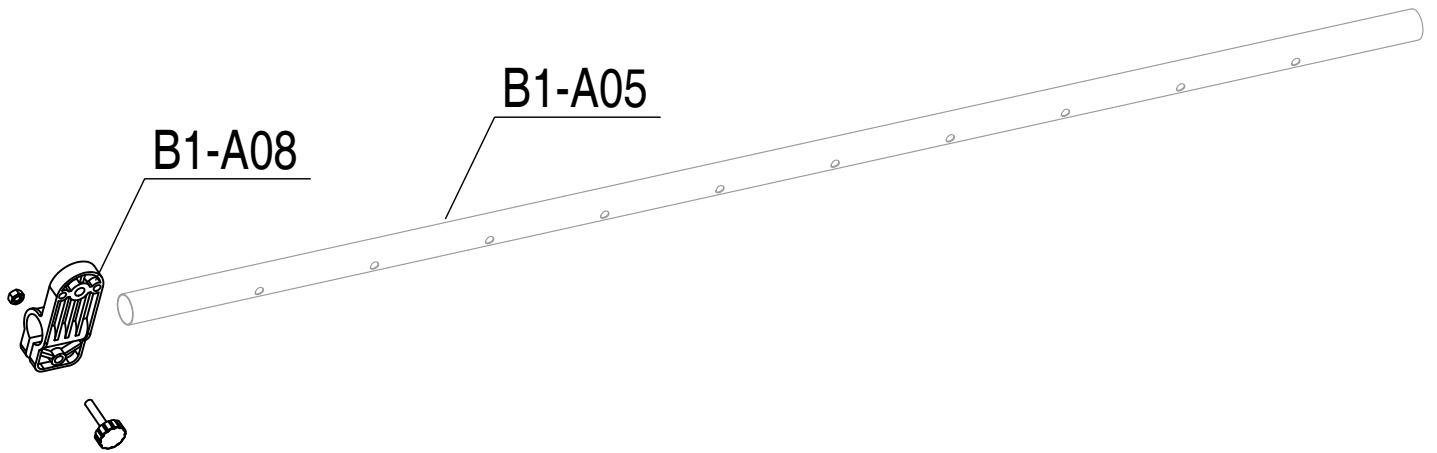

B1-A13[x2]






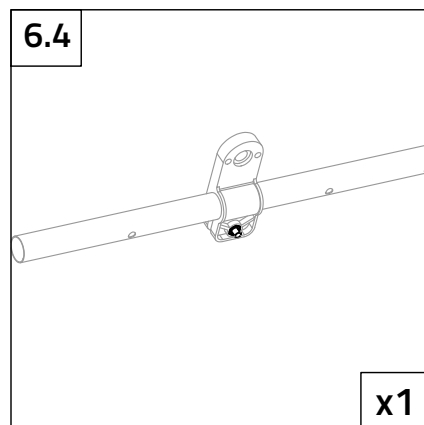
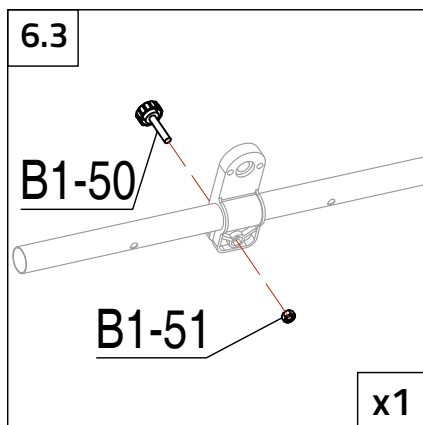
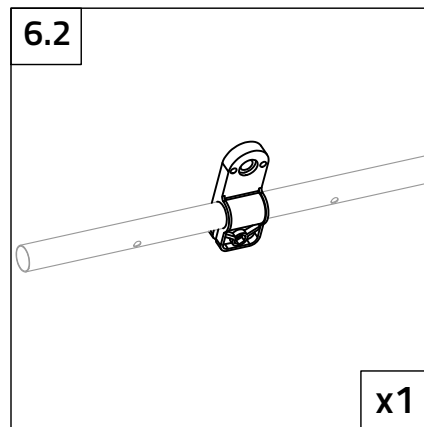
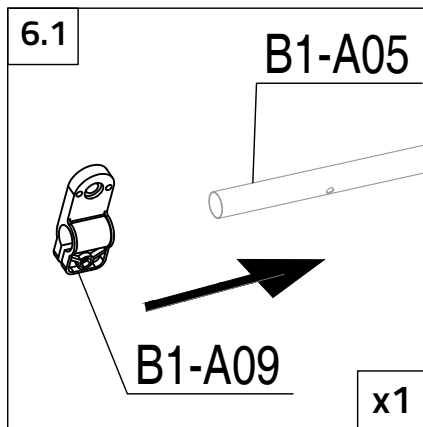
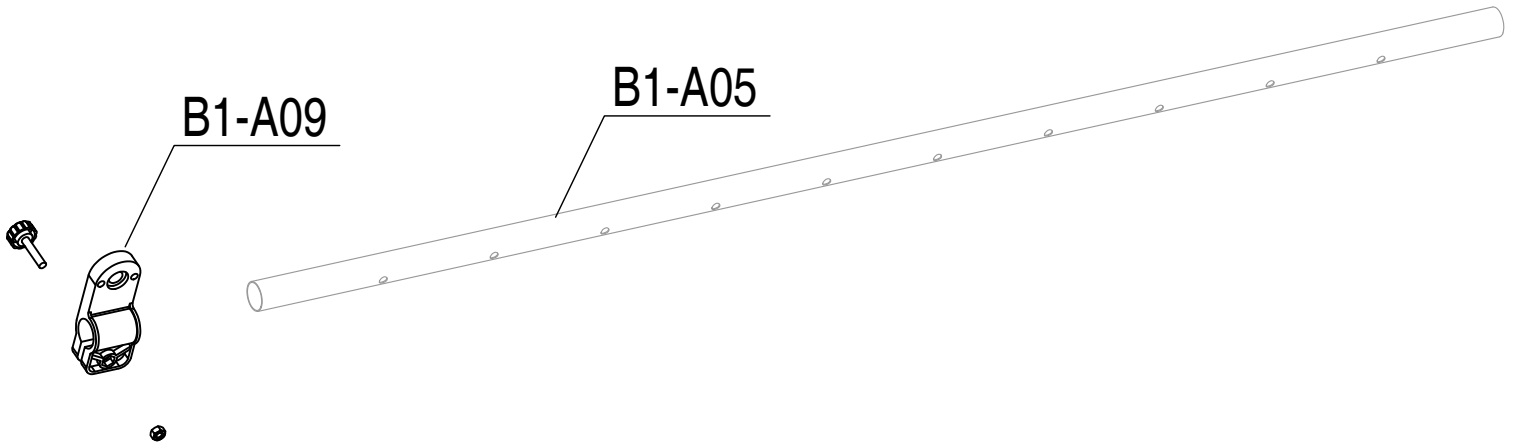
4	 B1-C06[x2]	 B1-50[x2]	 B1-51[x2]	
---	---	--	---	--



5	 B1-A08[x1]	 B1-50[x1]	 B1-51[x1]	 B1-A05[x1]
---	---	--	---	---



6	 B1-A09[x1]	 B1-50[x1]	 B1-51[x1]	 B1-A05[x1]
---	---	--	---	---



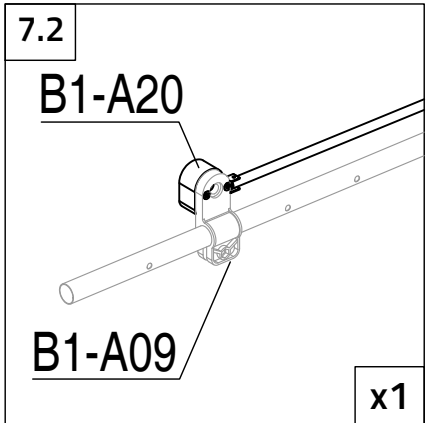
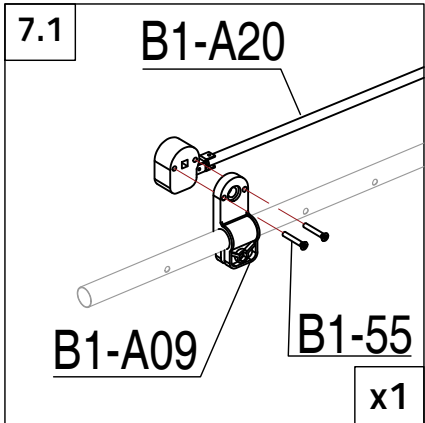
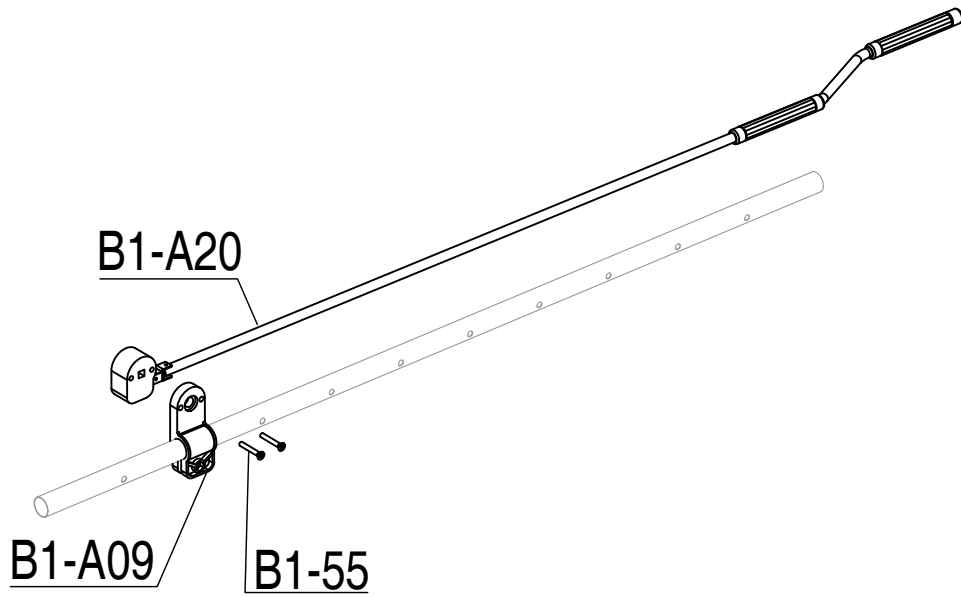
7




B1-A20[x1]




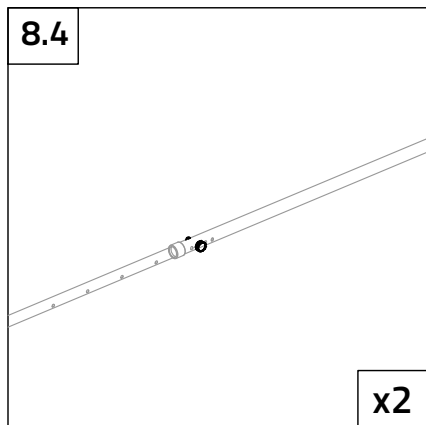
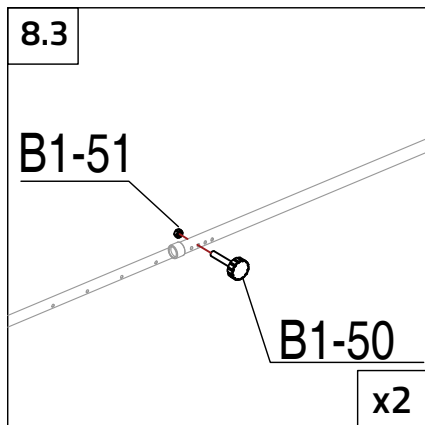
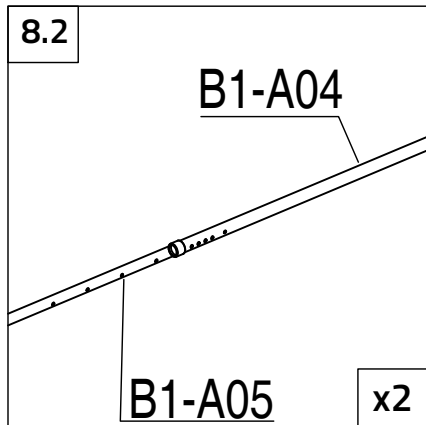
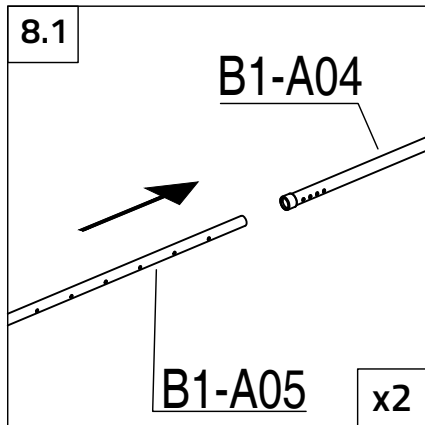
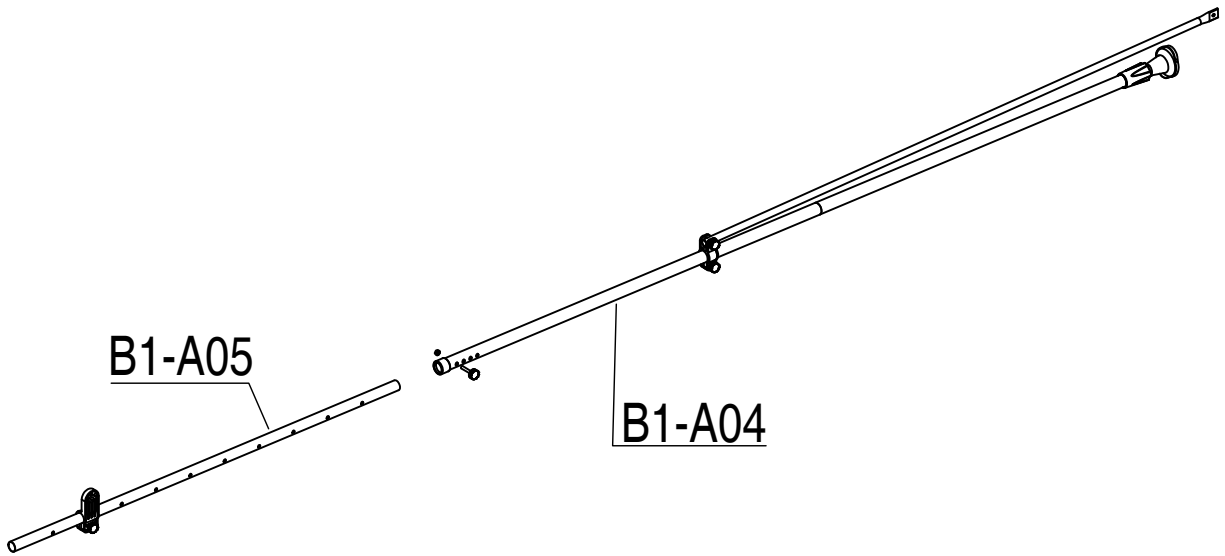
B1-55[x2]





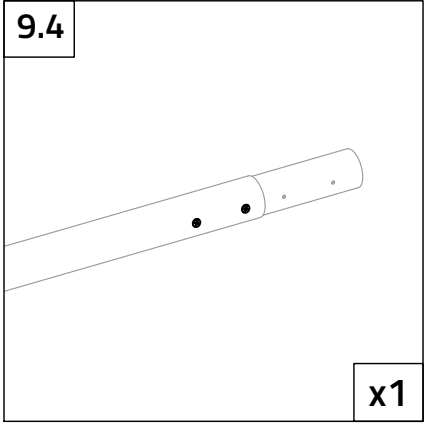
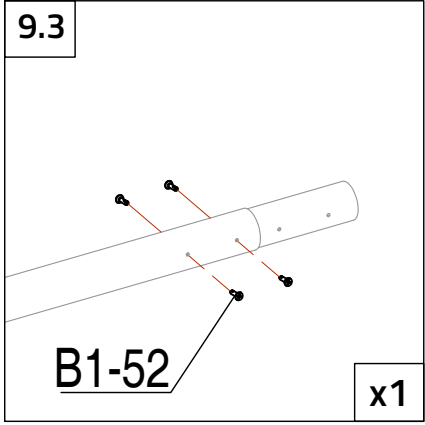
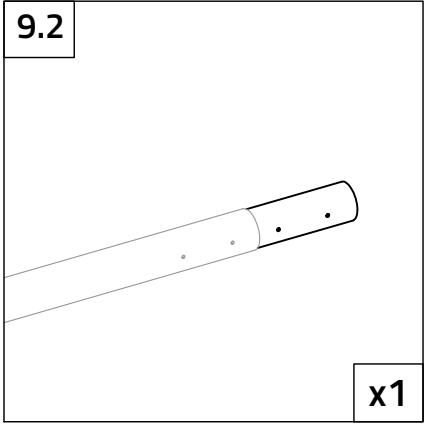
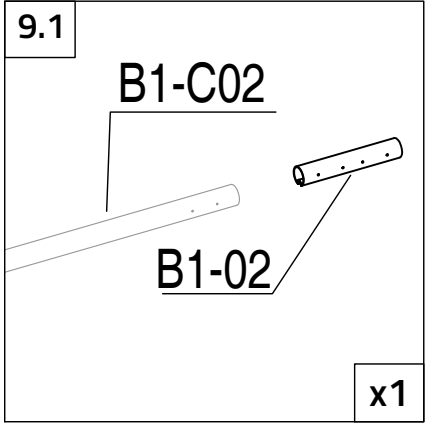
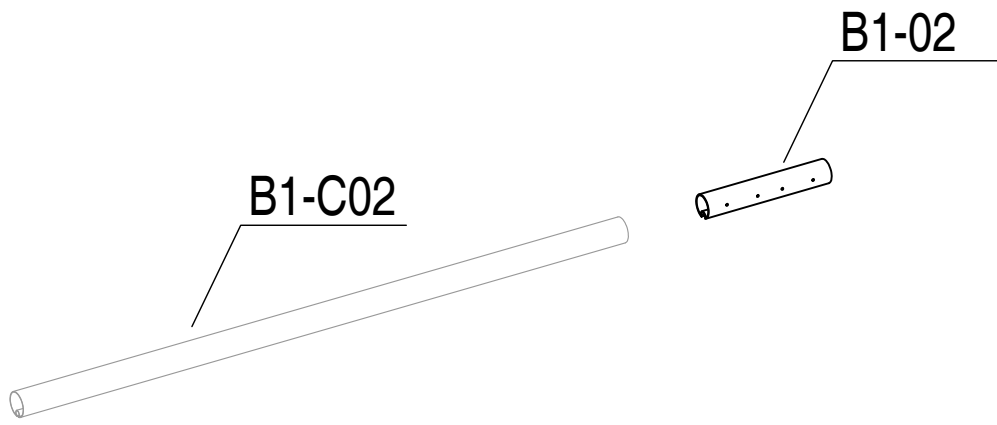
8


B1-50[x2]


B1-51[x2]



9	 B1-C02[x1]	 B1-02[x1]	 B1-52[x2]	
---	---	--	---	--



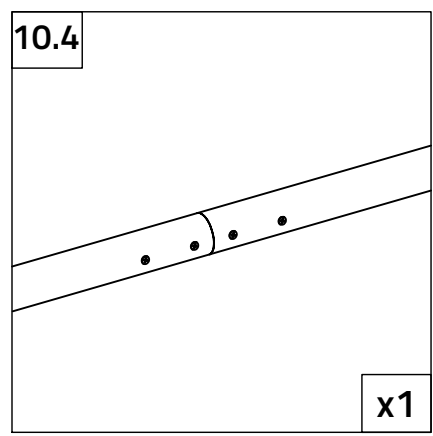
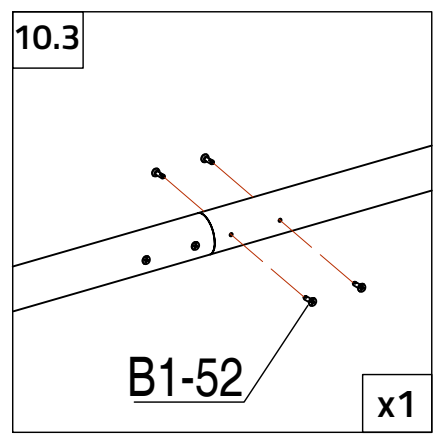
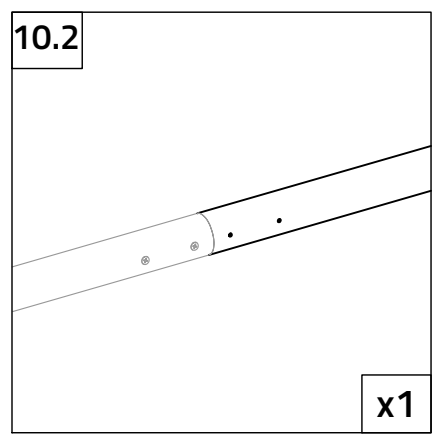
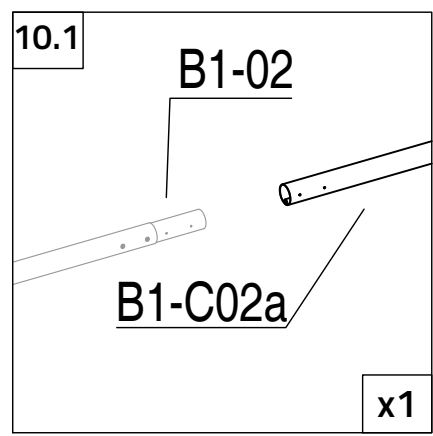
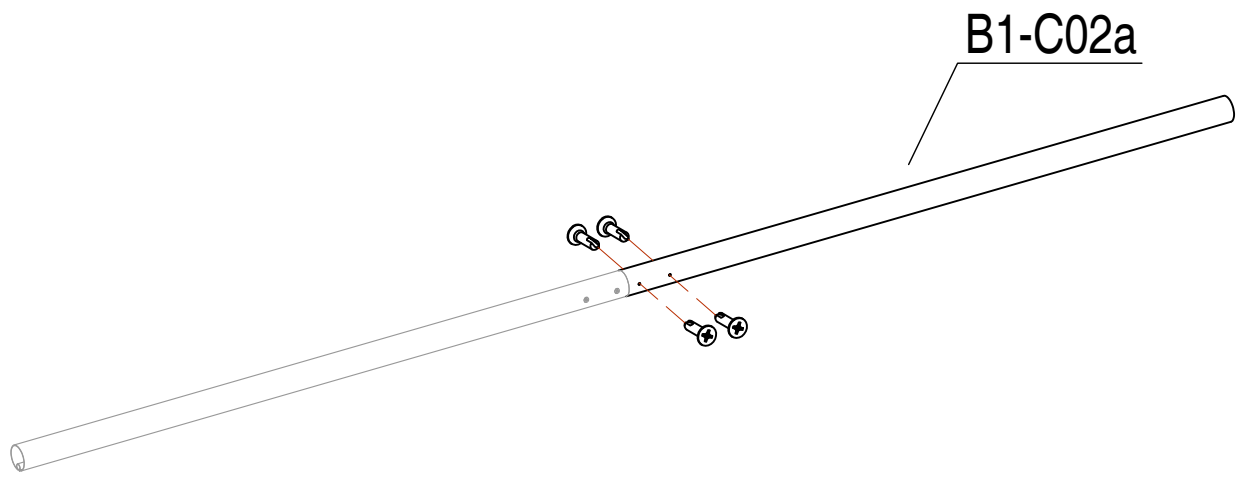
10



B1-C02a[x1]



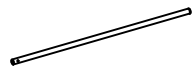
B1-52[x2]



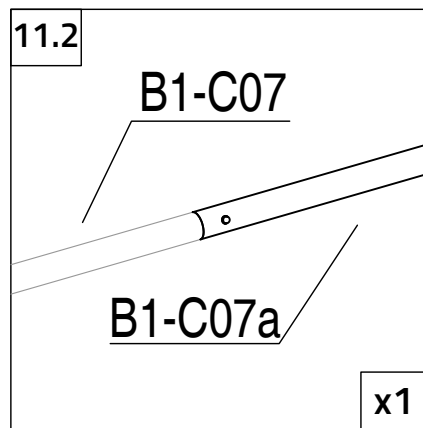
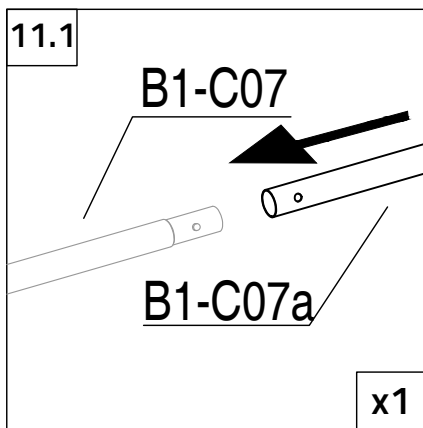
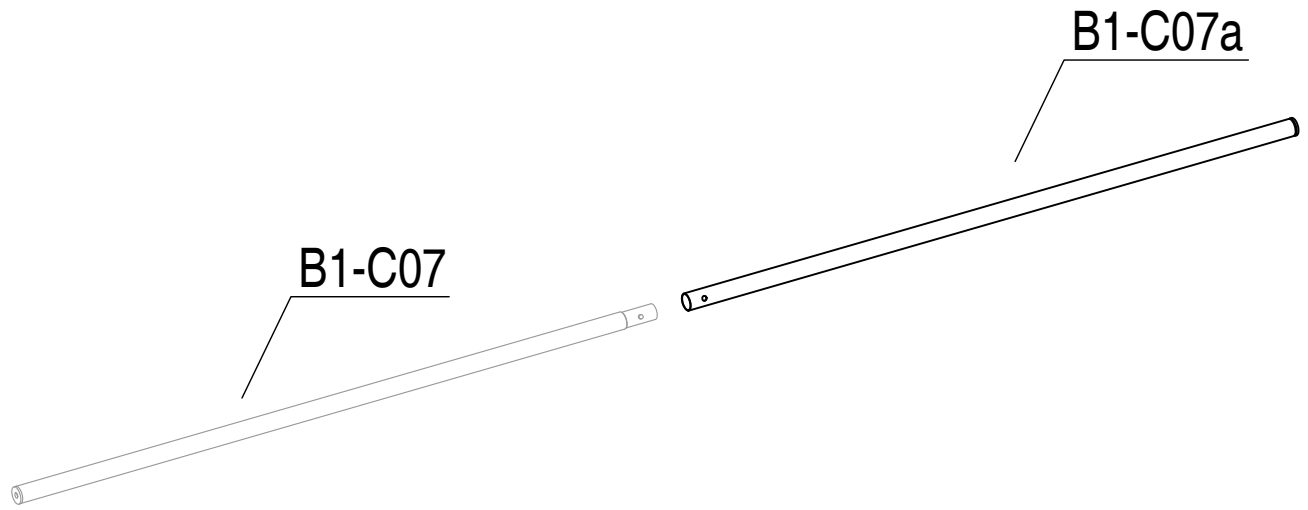
11





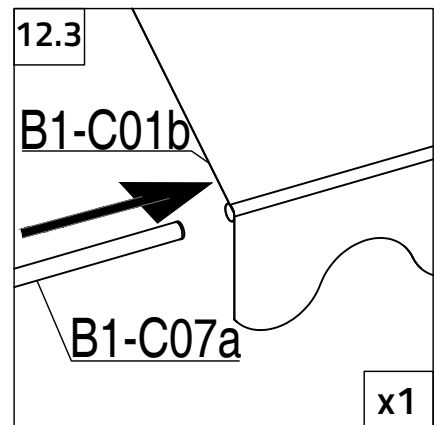
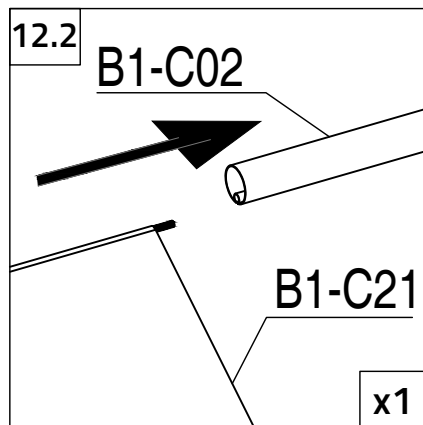
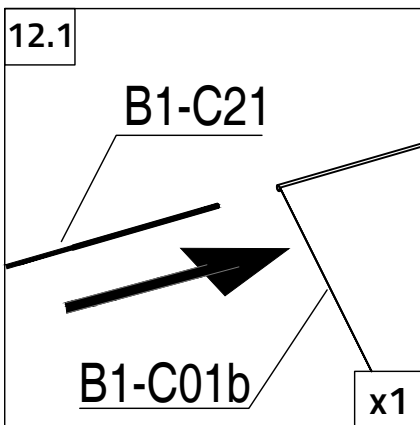
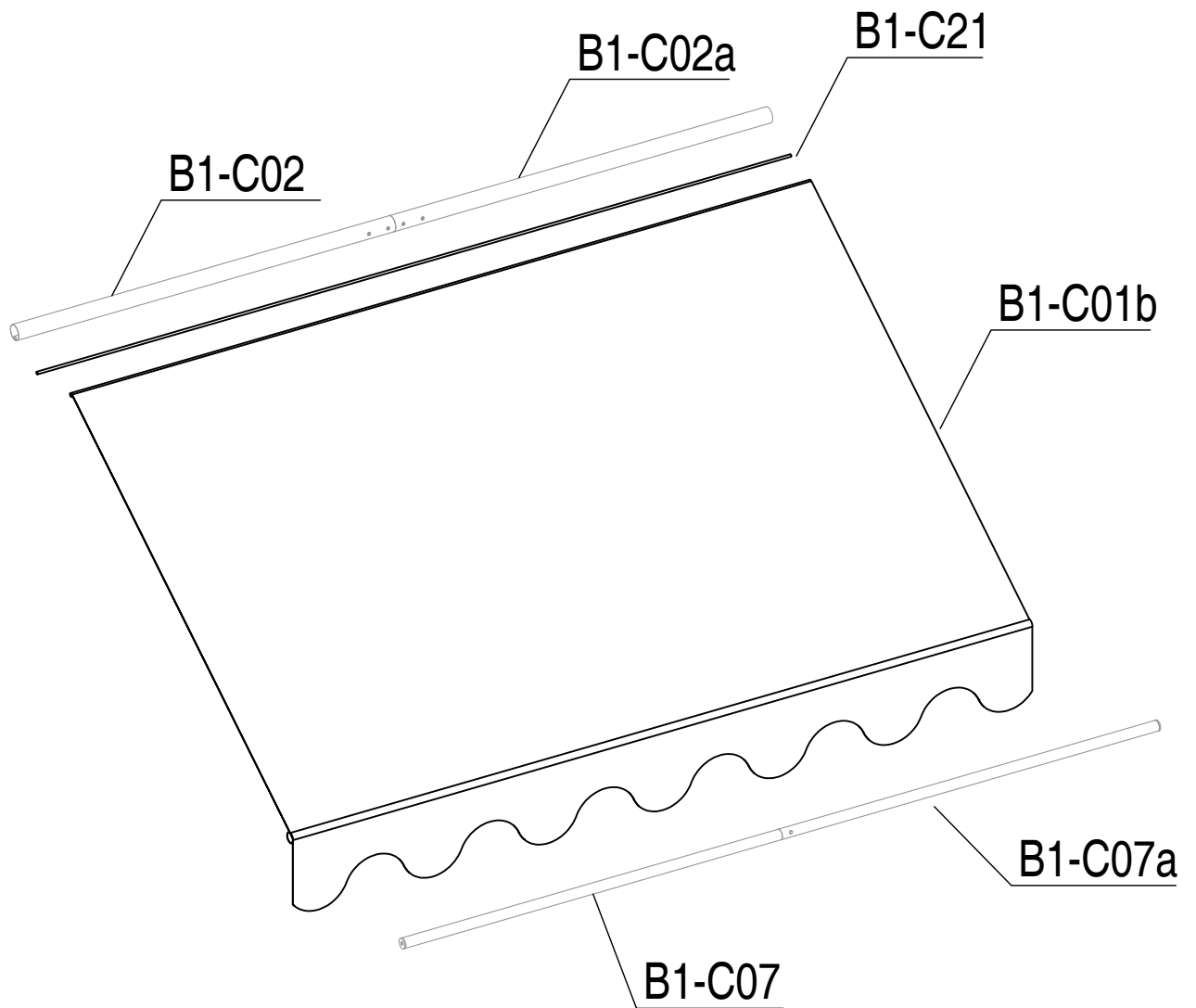
B1-C07[x1]



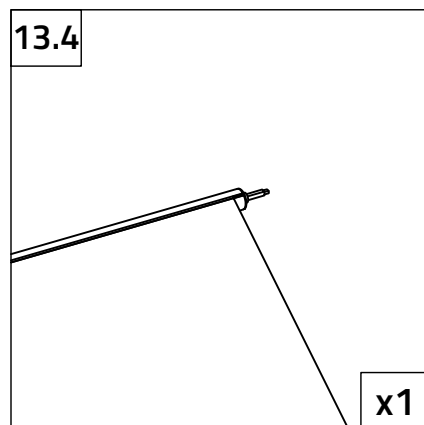
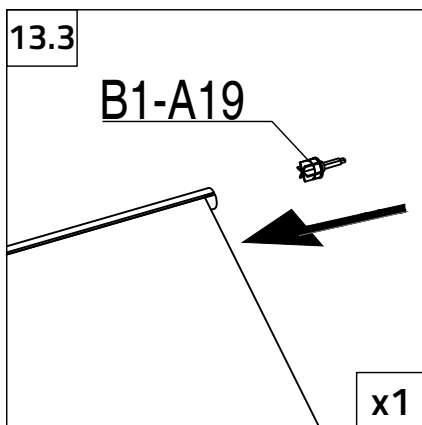
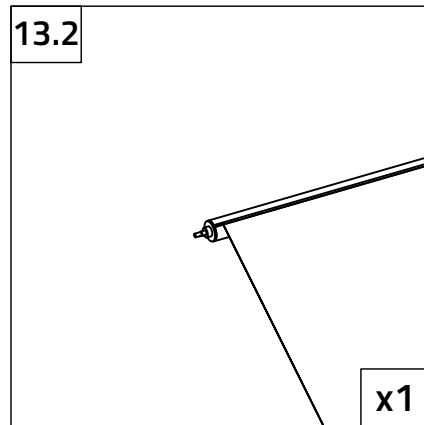
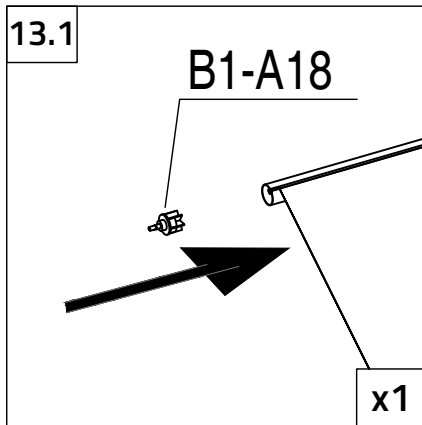
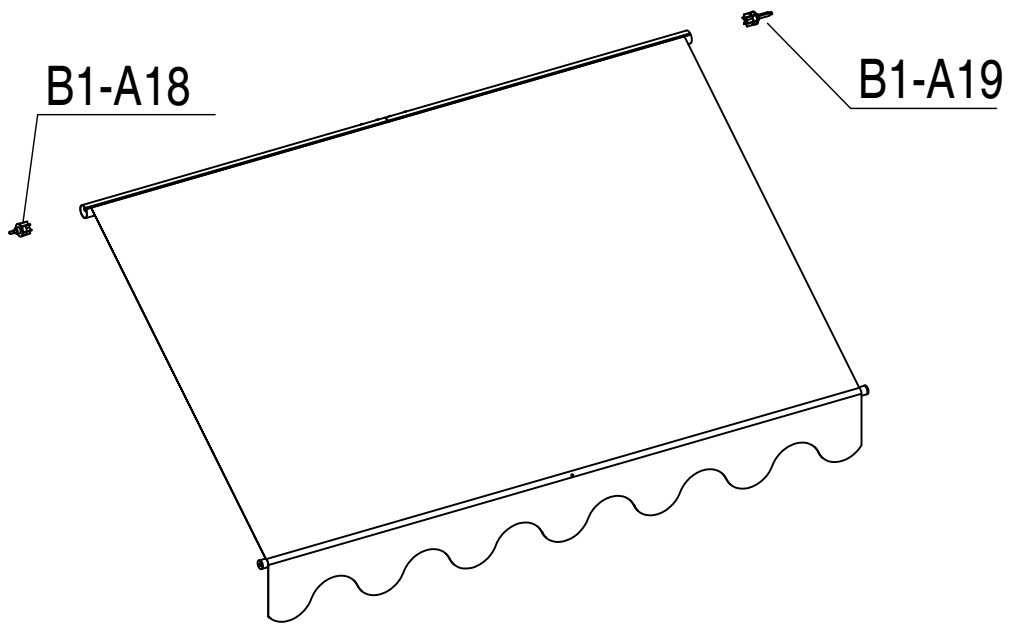
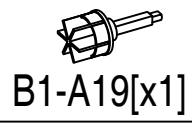
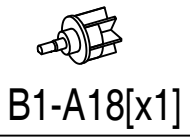
B1-C07a[x1]



12	 B1-C21[x1]	 B1-C01b[x1]	
----	---	--	--



13



14



B1-53[x2]



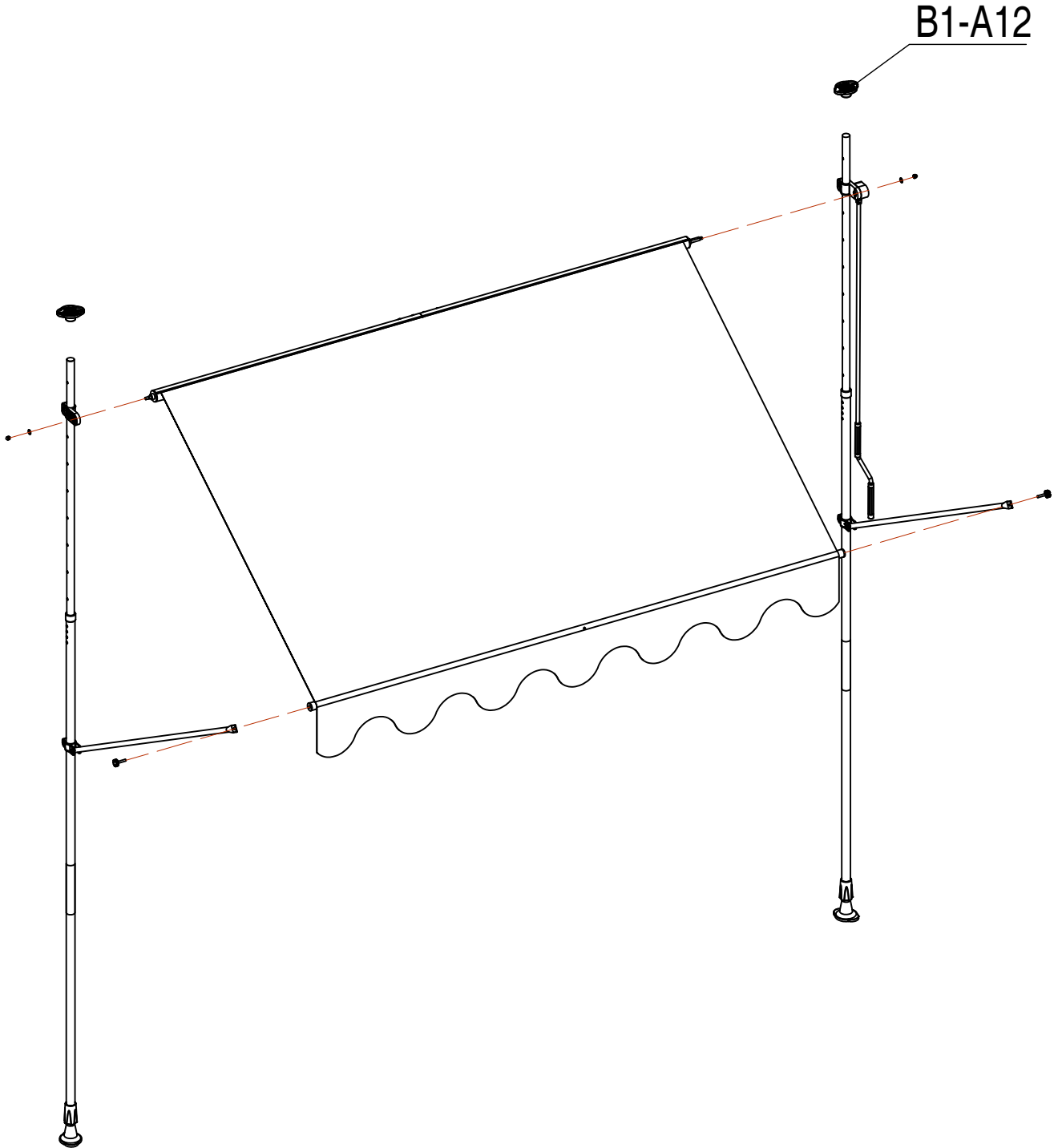
B1-54[x2]

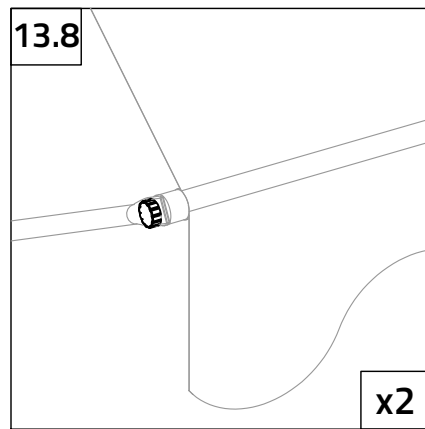
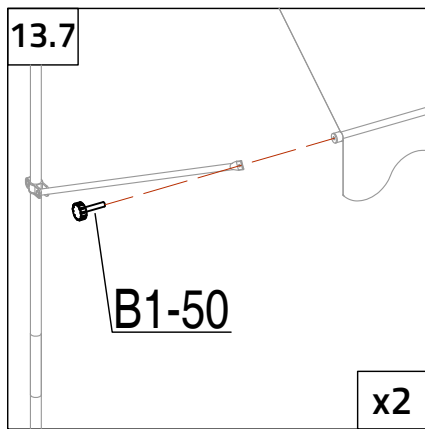
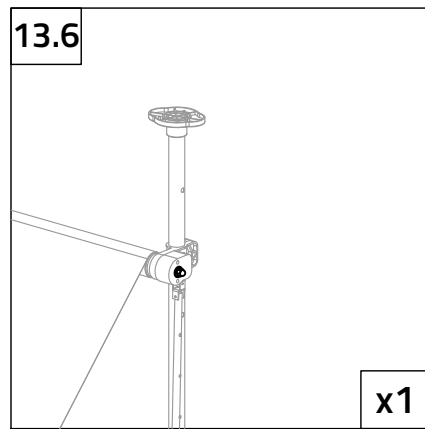
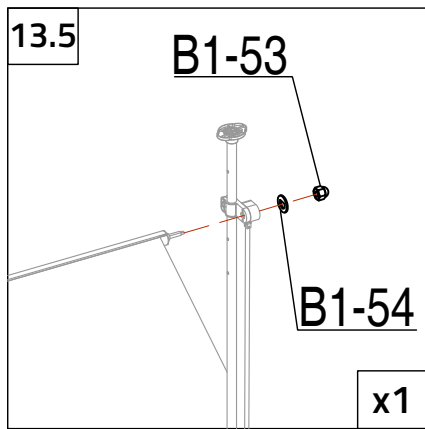
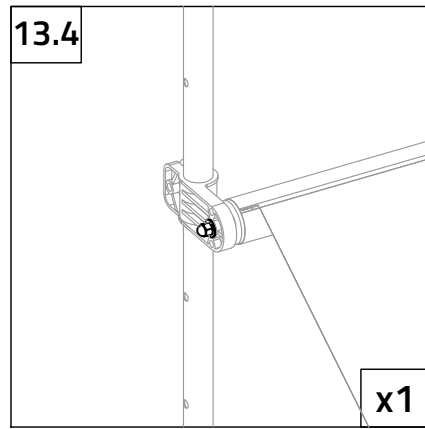
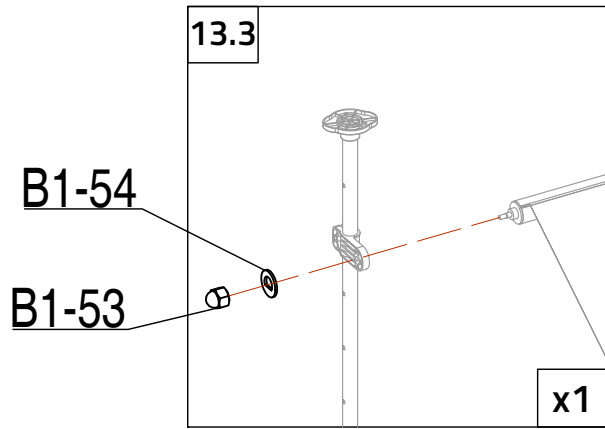
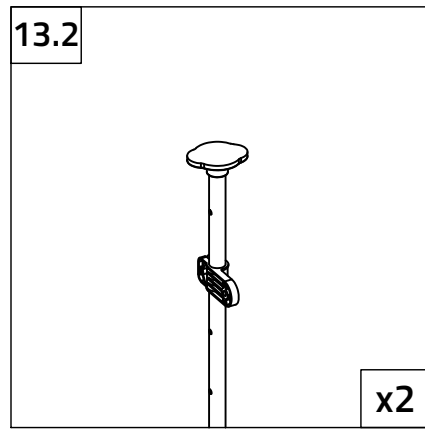
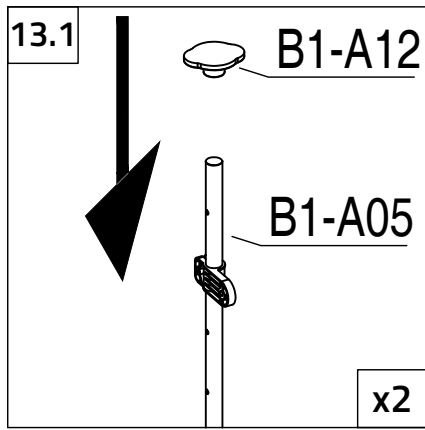


B1-50[x2]



B1-A12[x2]





16

