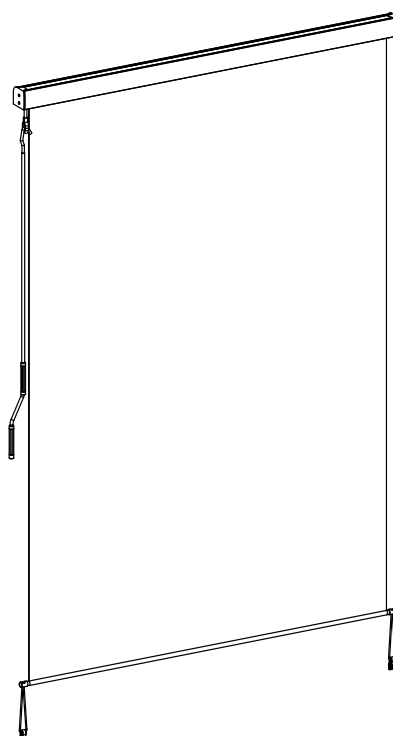


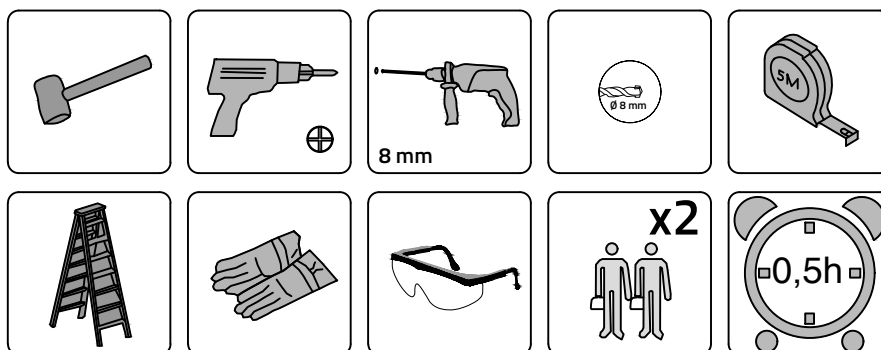
BESTBERG

GERMAN QUALITY

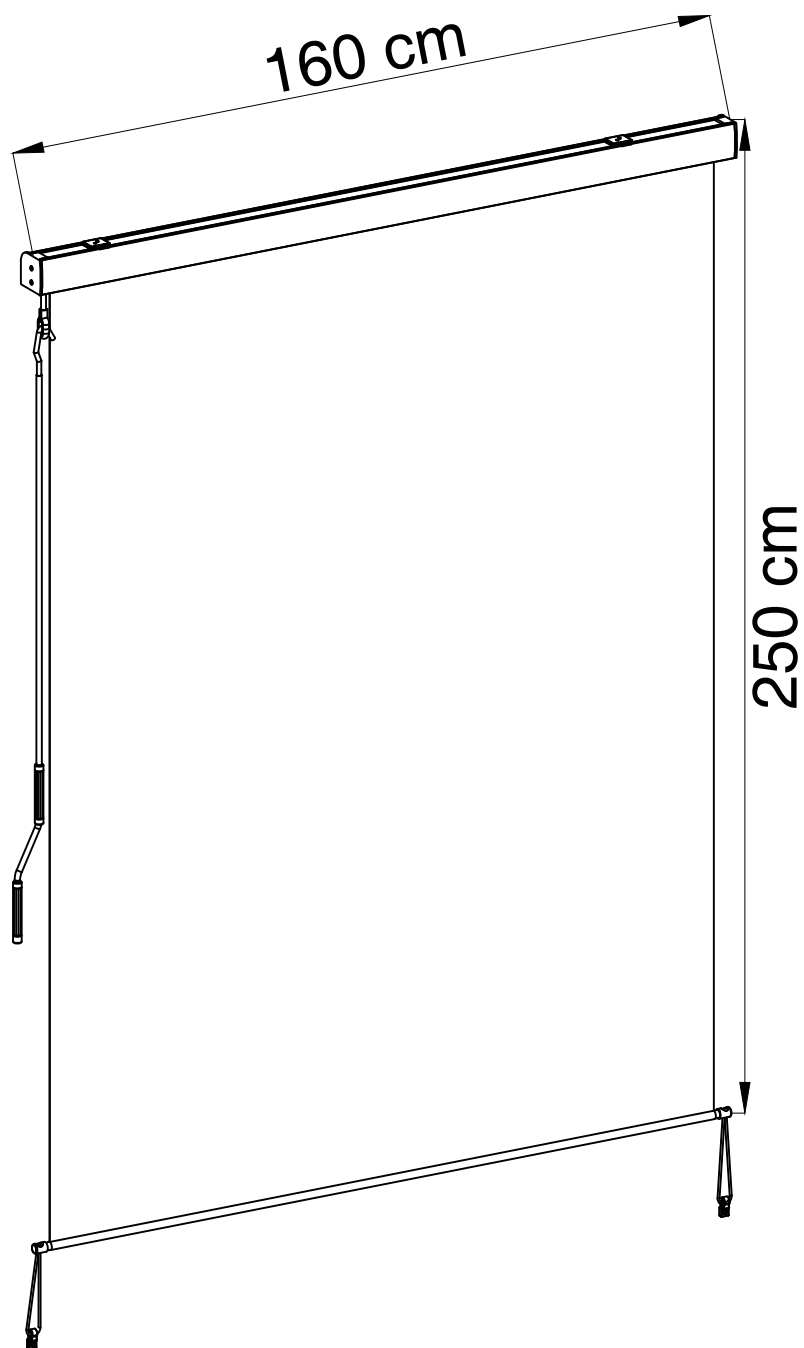
BBSU-D160CG
160 x 250 cm

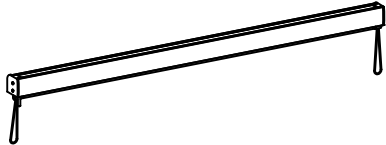


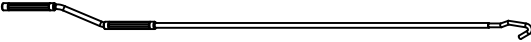

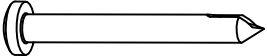

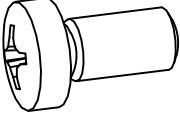
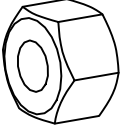
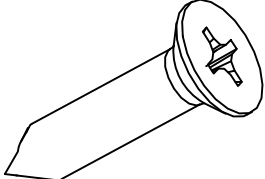


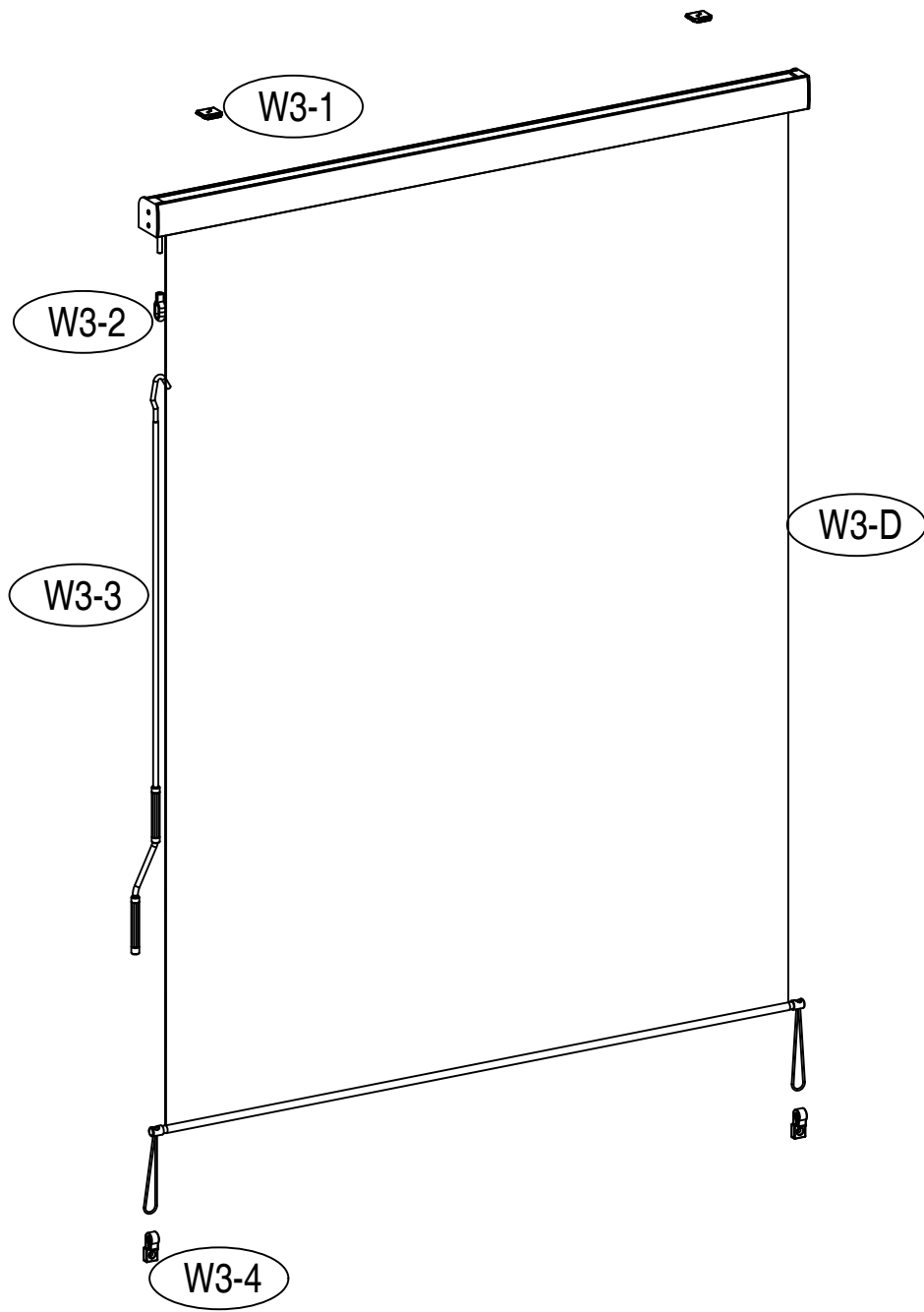
DE Vertikale Markise
CZ Vertikální markýza
SK Vertikálna markíza
PL Markiza pionowa
HU Fügőleges napellenző
RO Copertină verticală


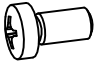



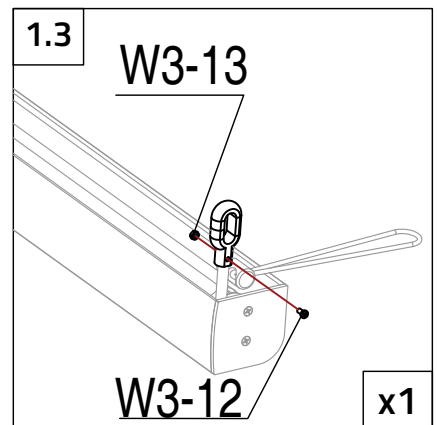
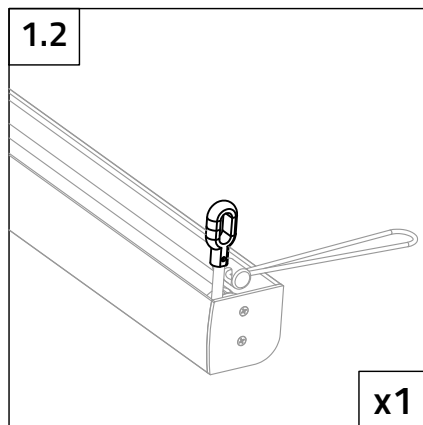
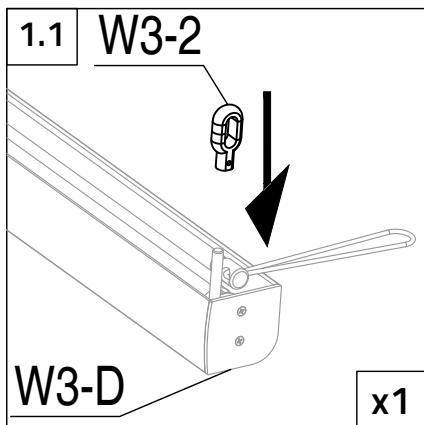
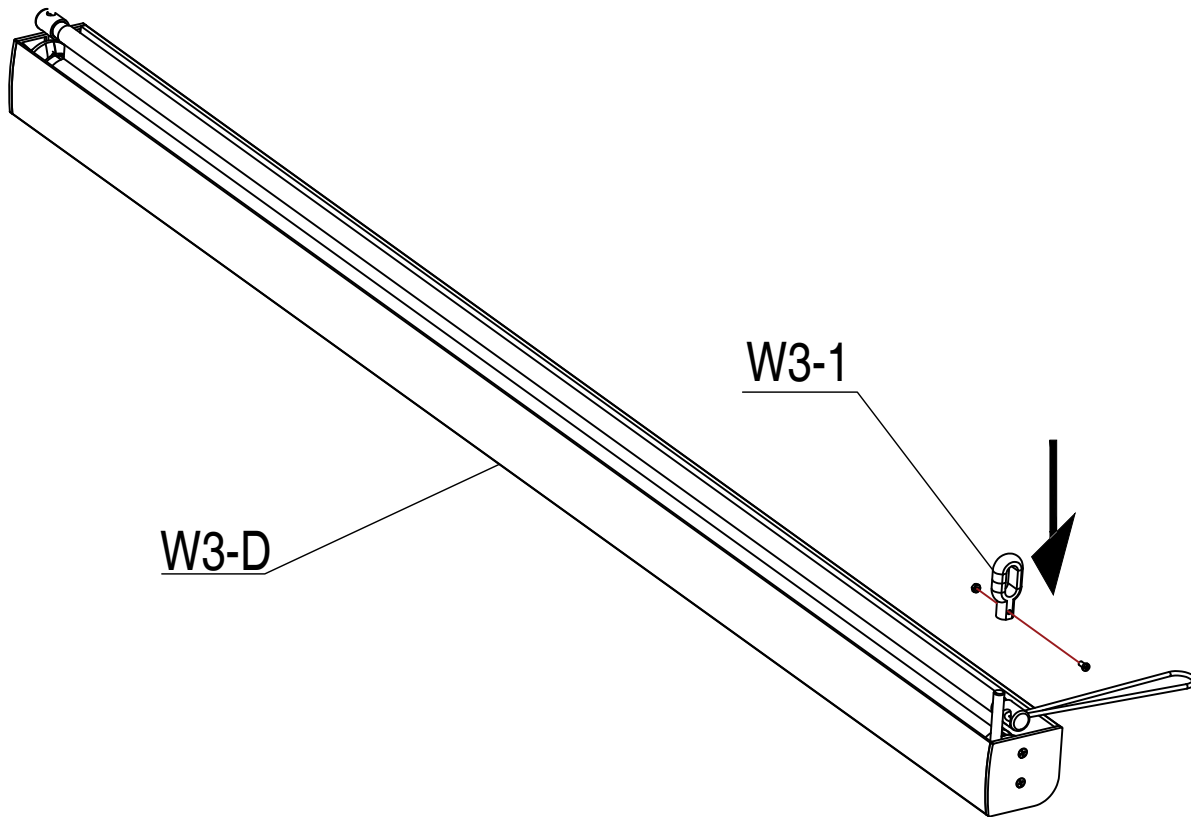
160 x 250 cm



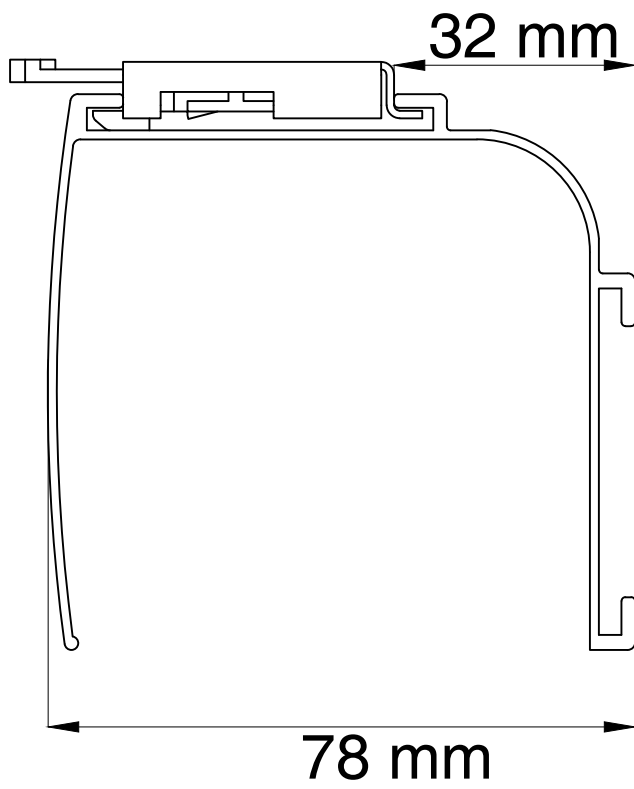
NO.	IMAGE	mm	QTY
W3-D		1600mm	x1
W3-1		55mm	x2
W3-2		78mm	x1
W3-3		1200mm	x1
W3-4		48mm	x2
W3-10		ST3.8x40	x4
W3-11		6x40	x8
W3-12		M4X18	x1
W3-13		M4	x1
W3-14		ST4.8x55	x4



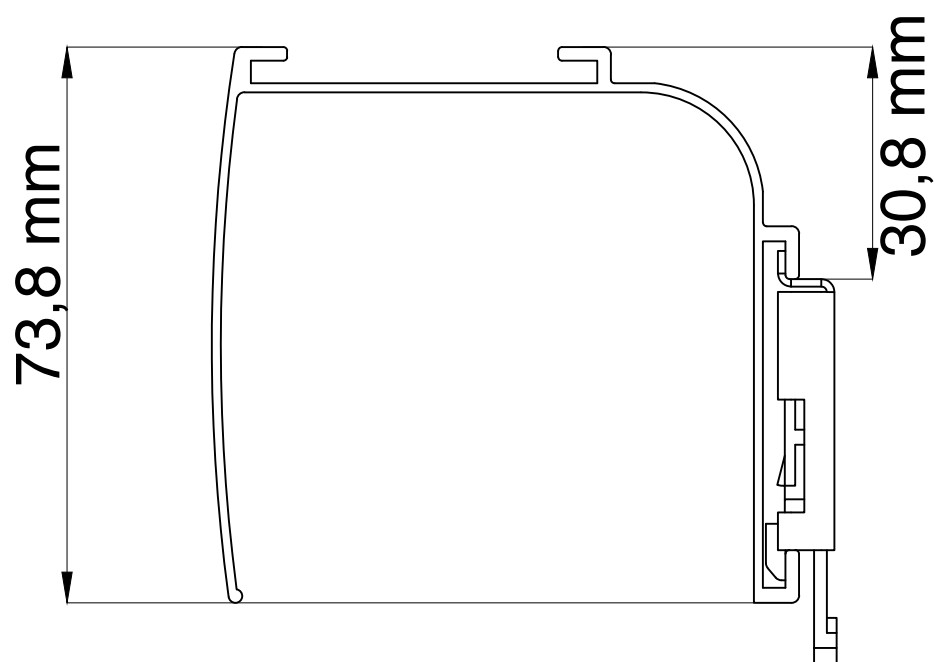
1	 W3-1[x2]	 W3-12[x1]	 W3-13[x1]	
---	-----------------------------------------------------------------------------------------------	------------------------------------------------------------------------------------------------	-------------------------------------------------------------------------------------------------	--



2



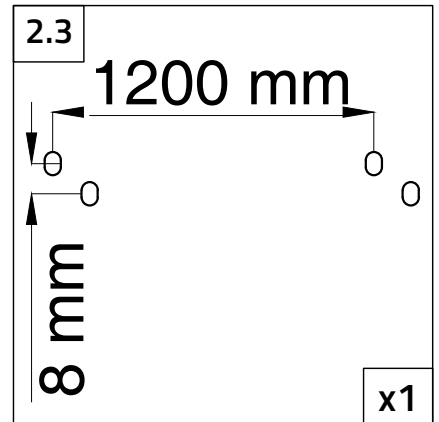
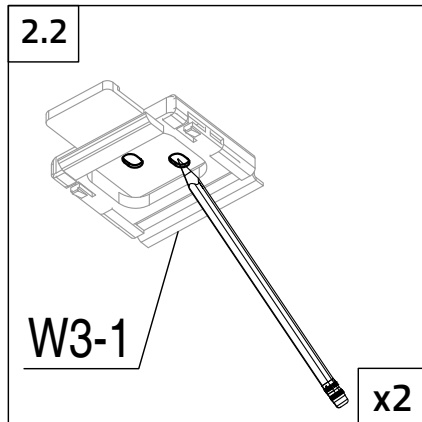
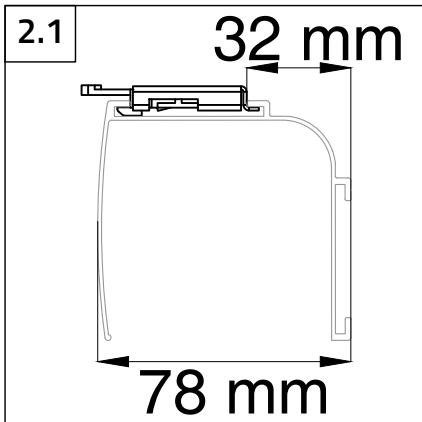
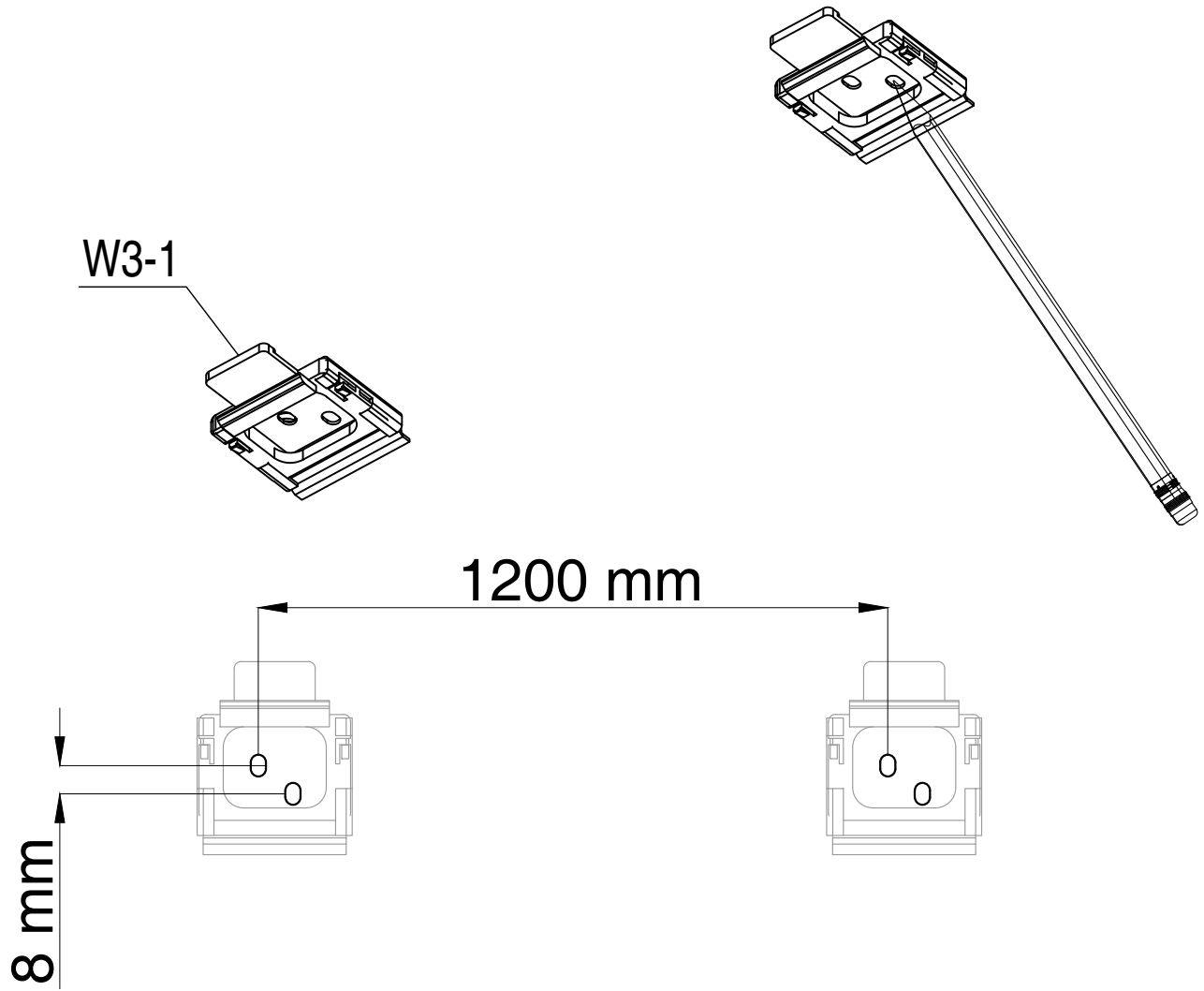
P:3-6



P:7-10

3

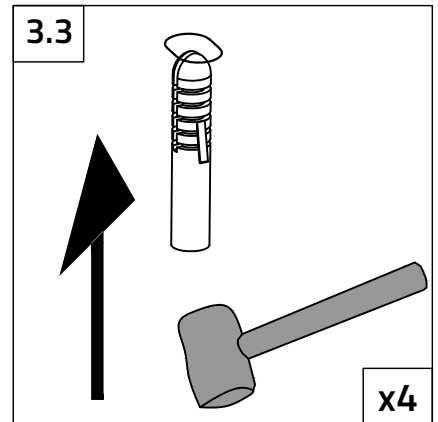
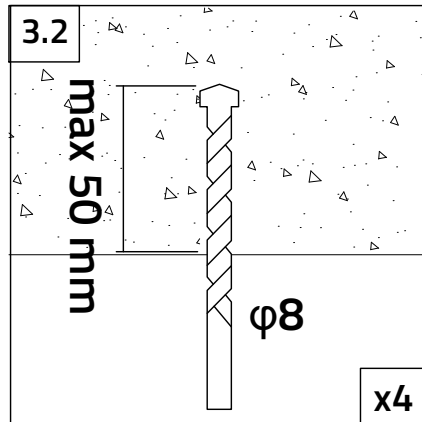
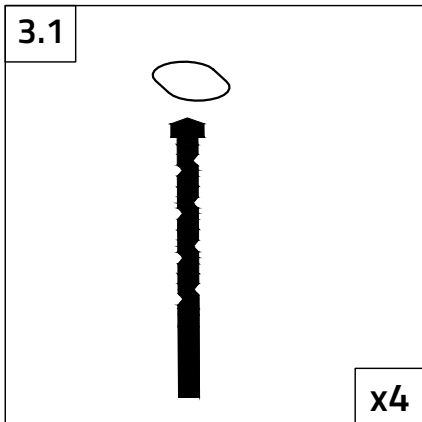
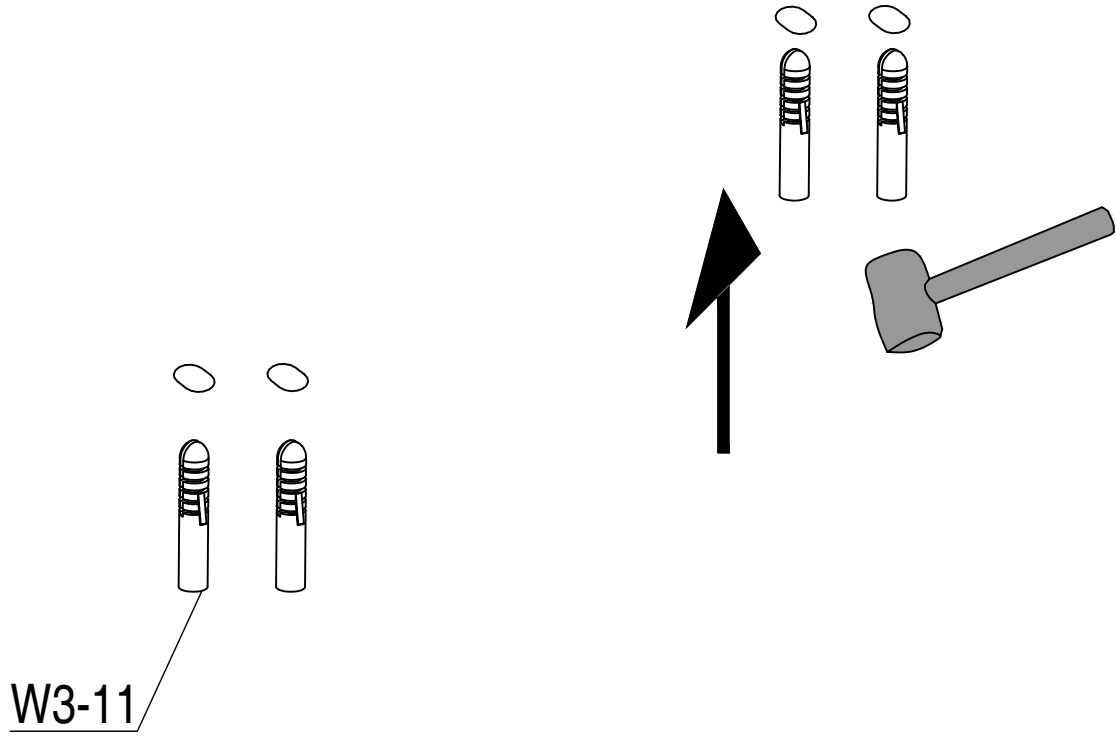
W3-1[x2]



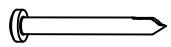
4



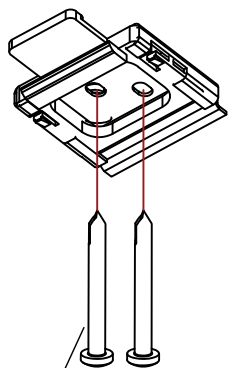
W3-11[x4]



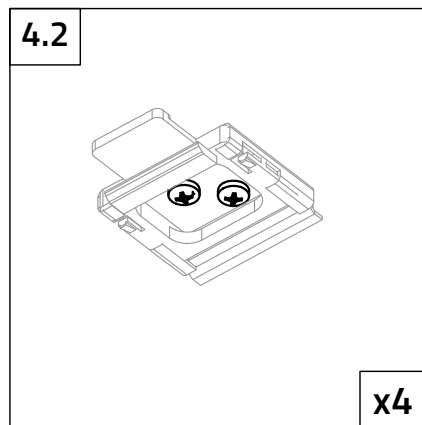
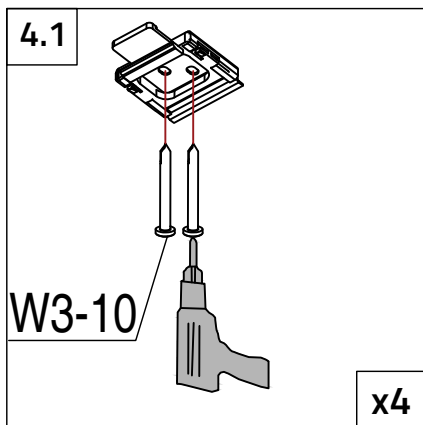
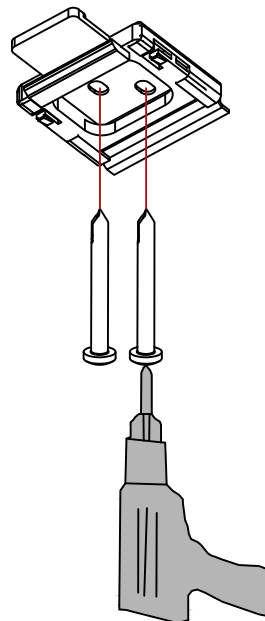
5



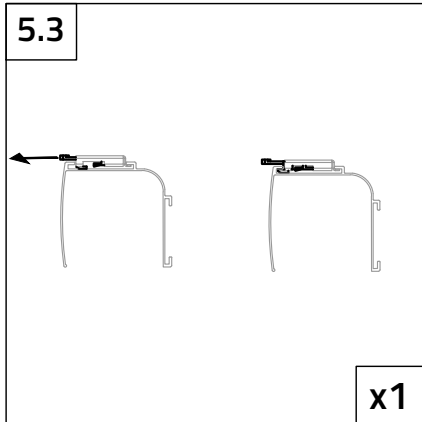
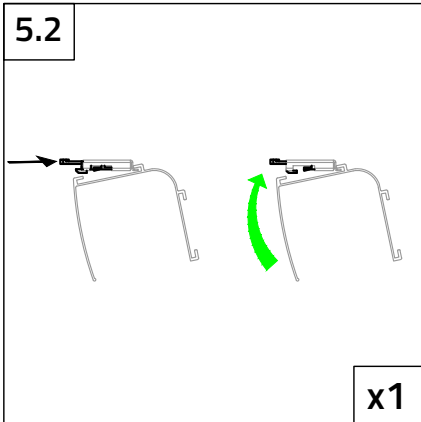
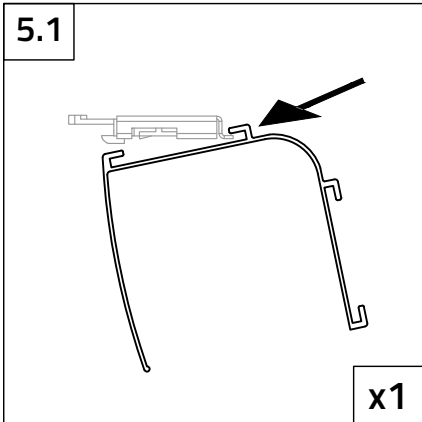
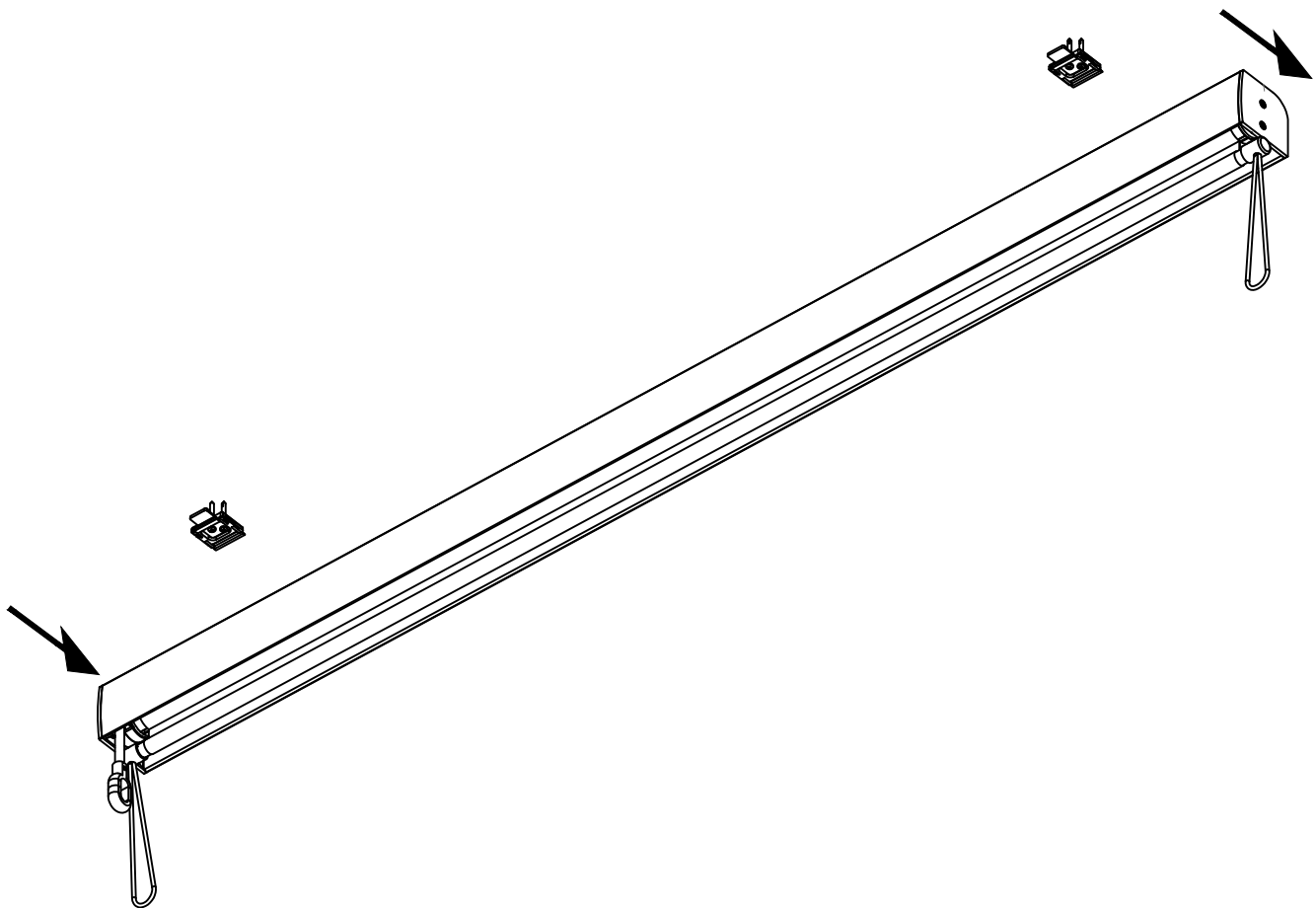
W3-10[x4]



W3-10



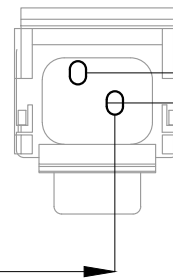
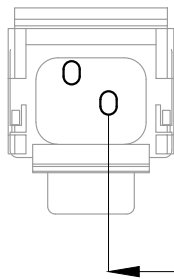
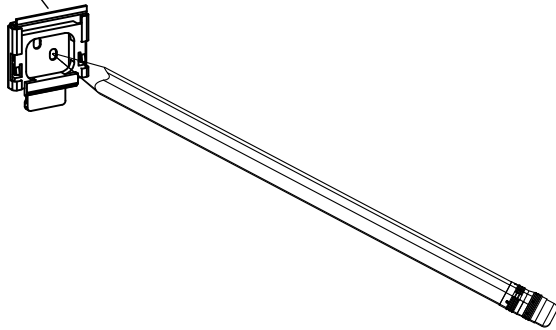
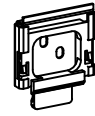
6



7

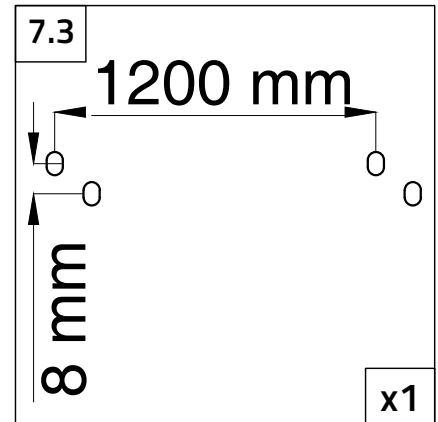
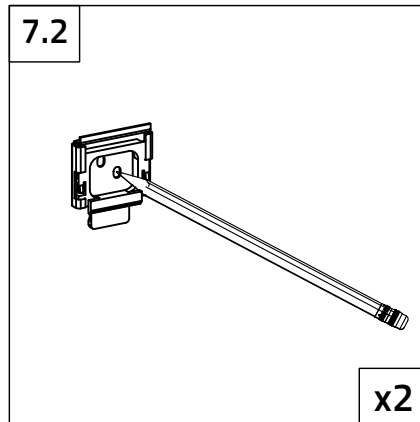
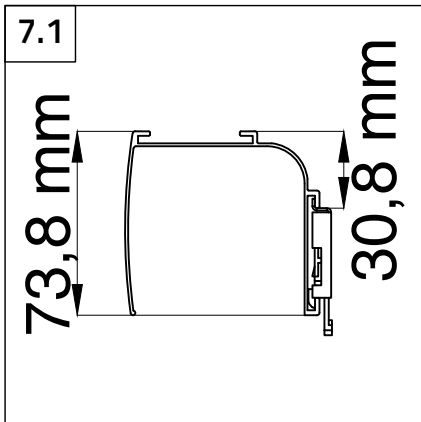
W3-1[x2]

W3-1



8 mm

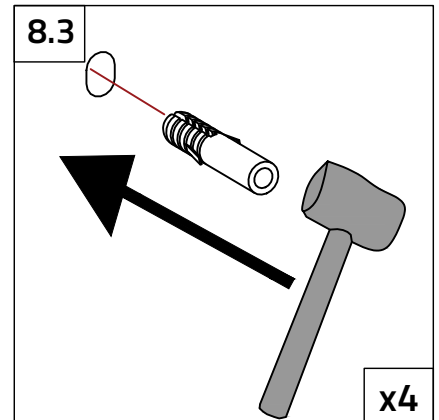
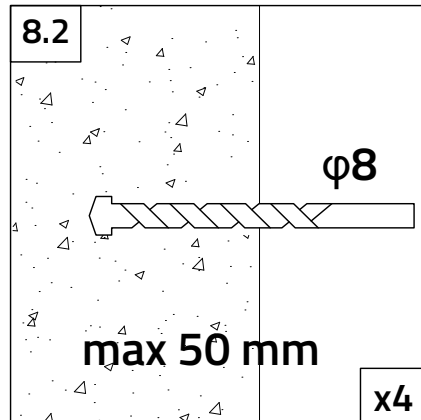
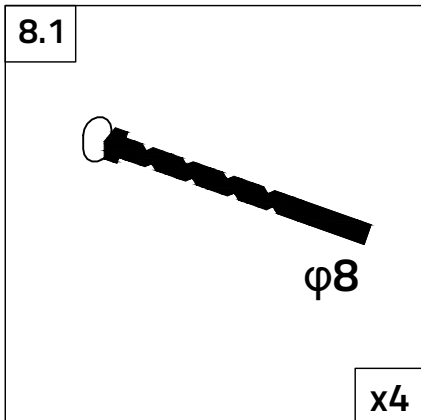
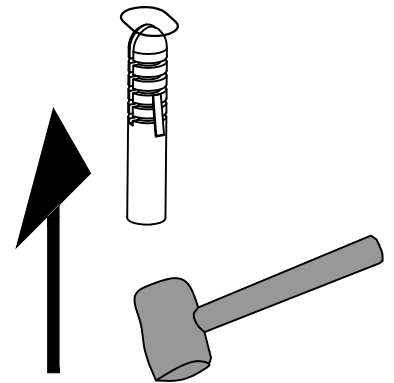
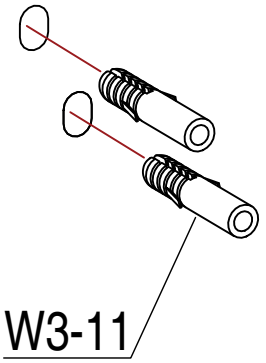
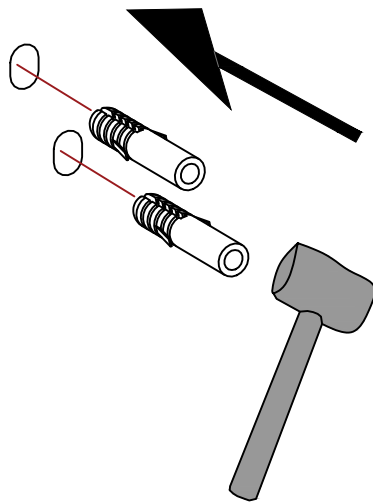
1200 mm



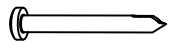
8



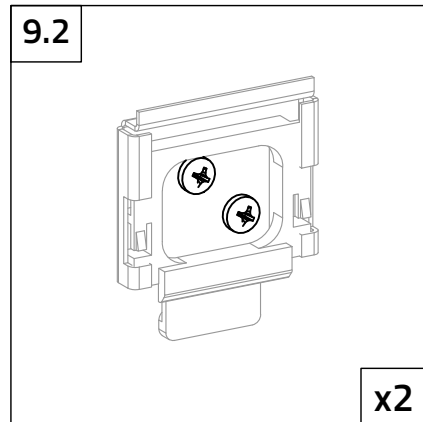
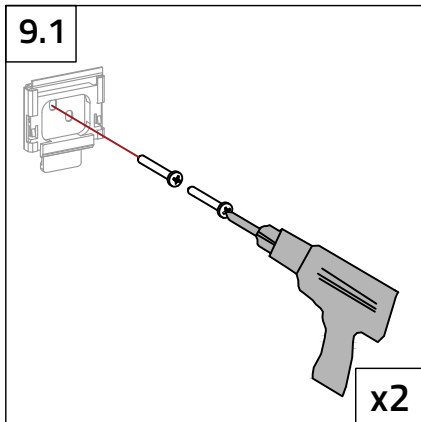
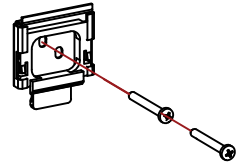
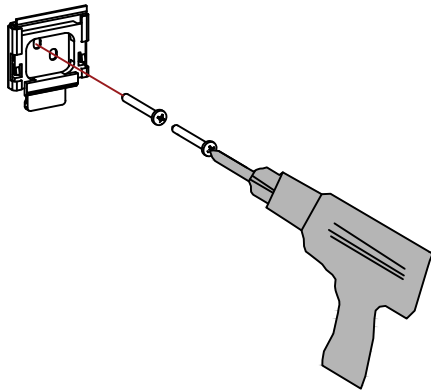
W3-11[x4]



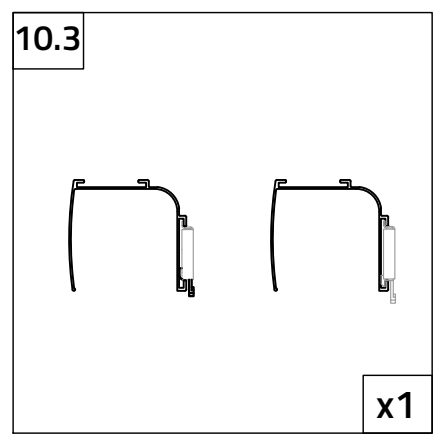
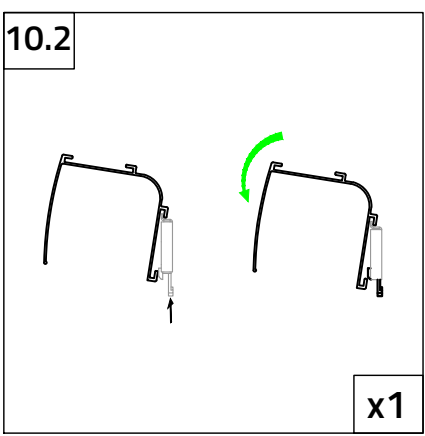
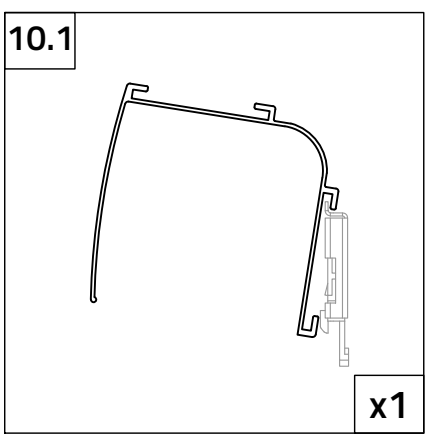
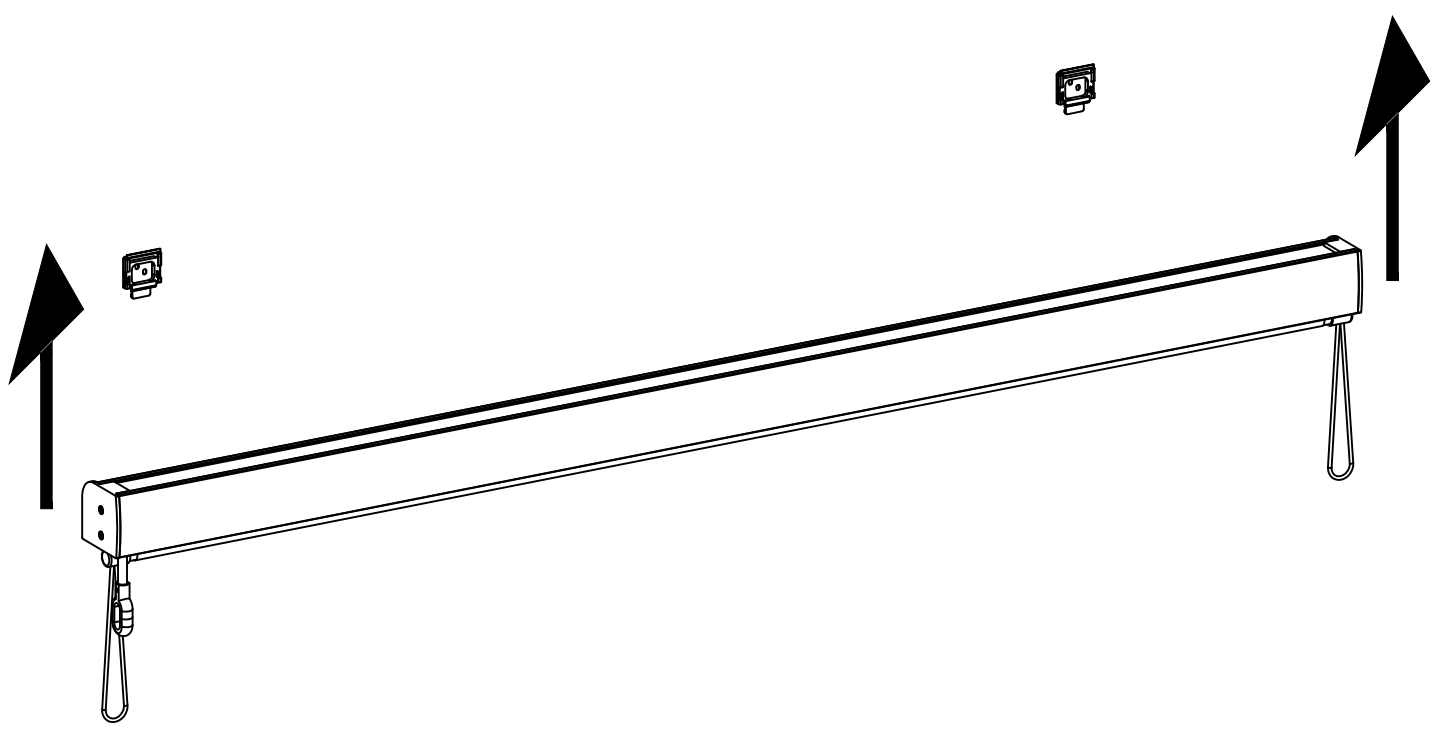
9



W3-10[x4]



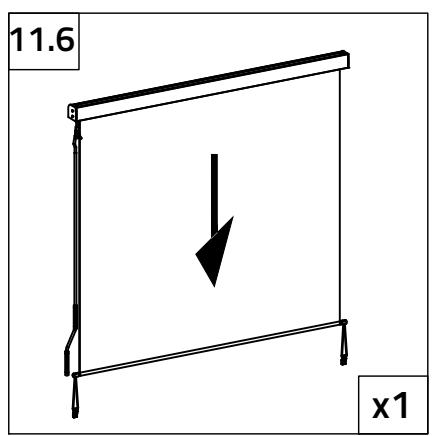
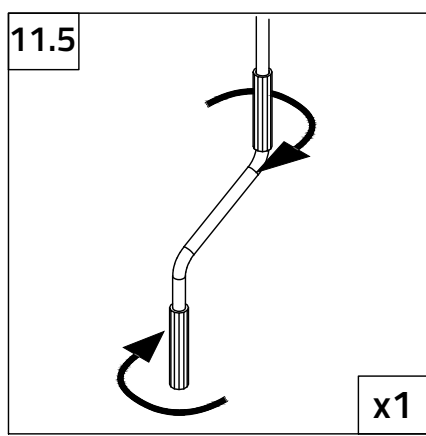
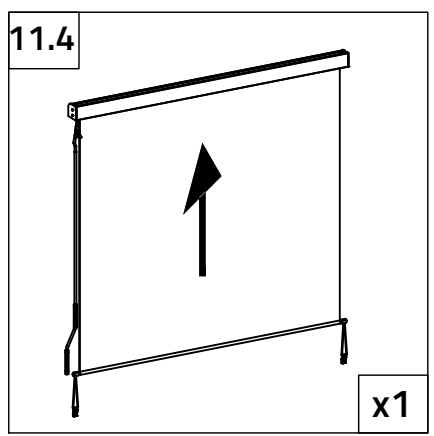
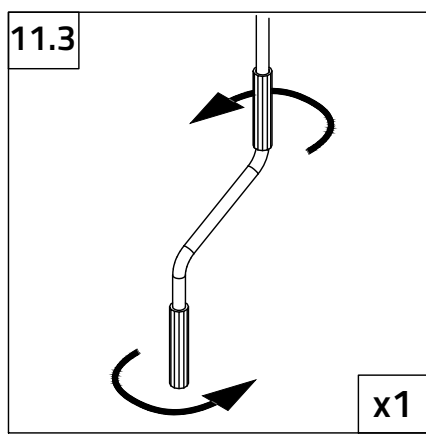
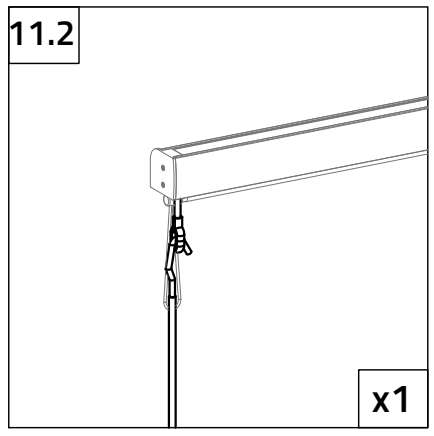
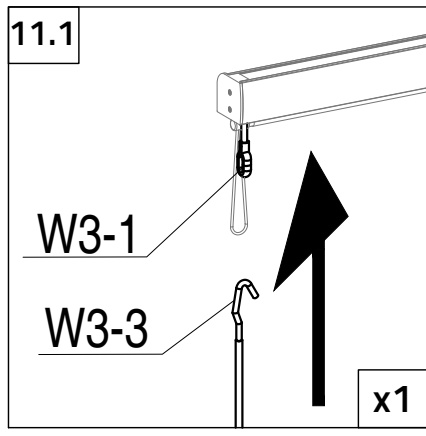
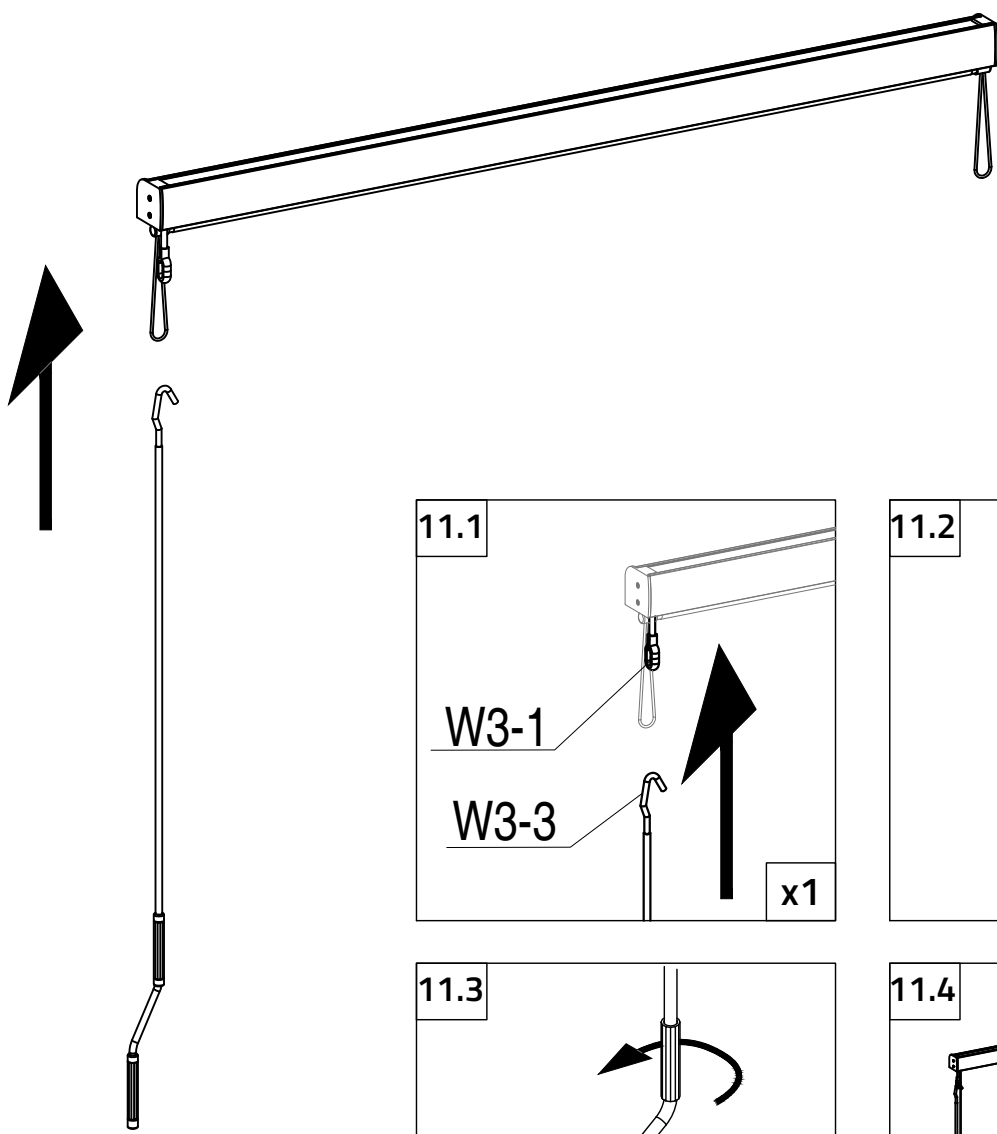
10



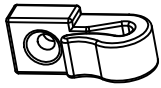
11



W3-3[x1]



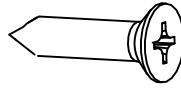
12



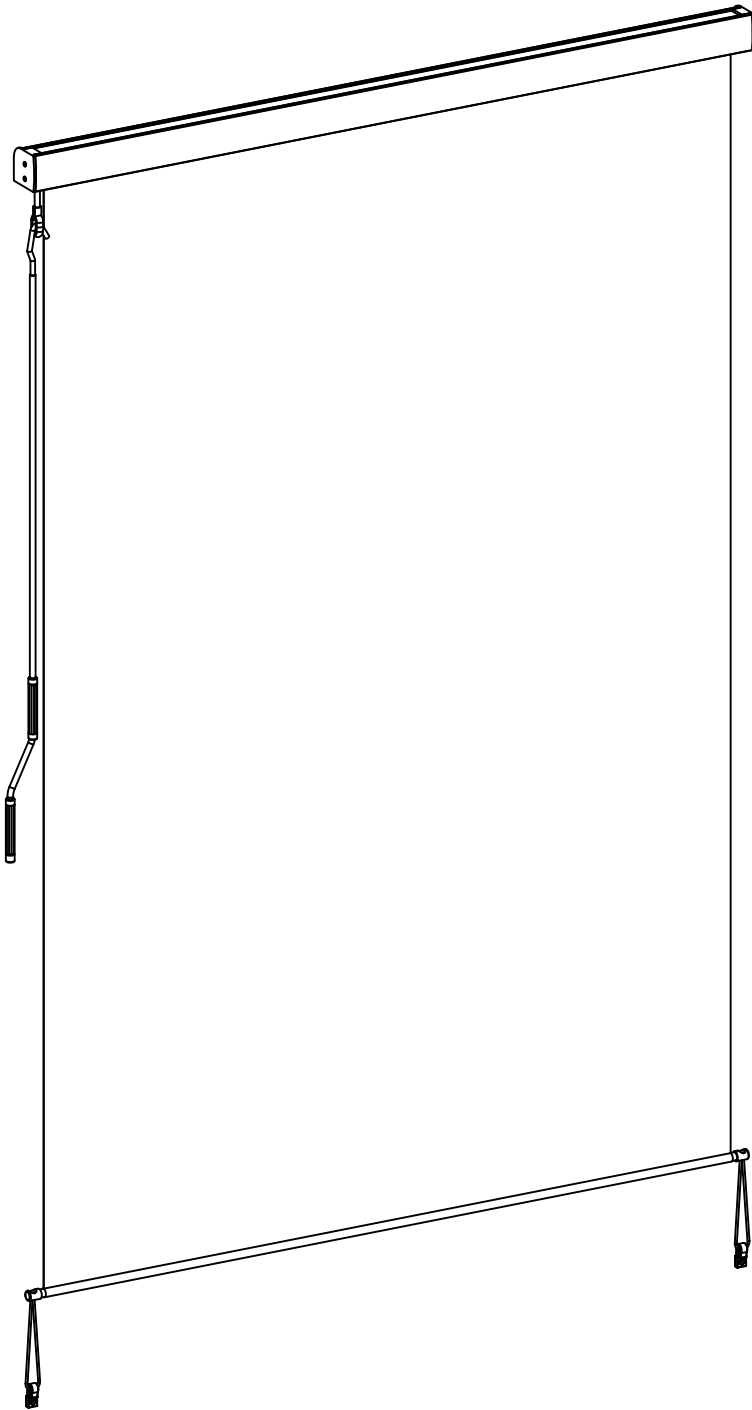
W3-4[x1]



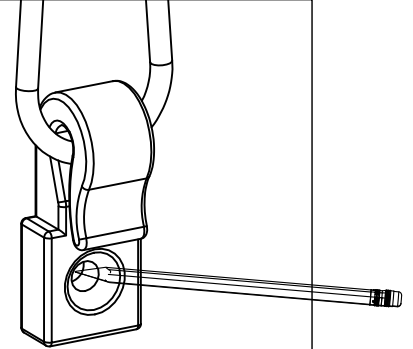
W3-11[x1]



W3-14[x1]

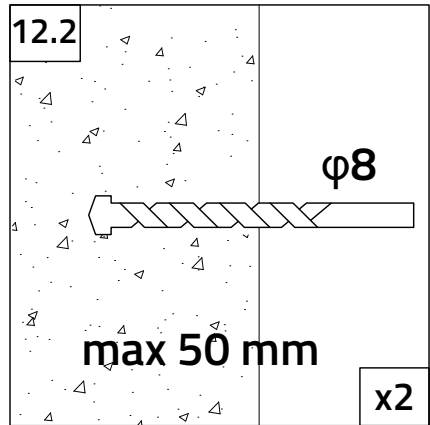


12.1



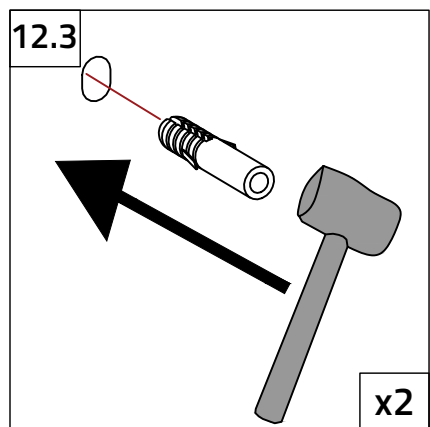
x2

12.2



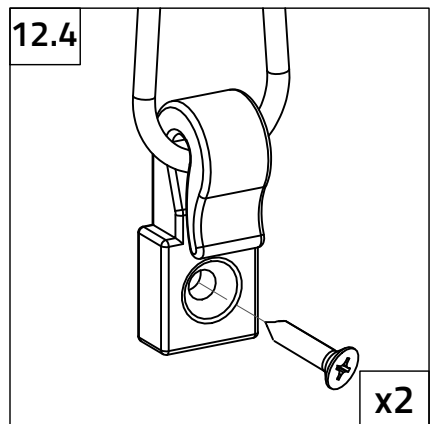
x2

12.3



x2

12.4



x2